

Model: Model-J		Date: 25-Jan-02	No.: MG060001
Modified Article: Parts Catalog Correction		Prepared by: H.Someya	
From: Technical Services Dept., GTS Division			
Reason for Modification:	<input checked="" type="checkbox"/> Parts catalog correction	<input type="checkbox"/> Vendor change	<input type="checkbox"/> To meet standards ( )
	<input type="checkbox"/> To facilitate assembly	<input type="checkbox"/> To improve reliability	
	<input type="checkbox"/> Part standardization	<input type="checkbox"/> Other	

Please apply the following corrections to your Parts Catalogs:

Old part number	New part number	Description	Q'ty	Int	Page	Index	Note
	G0609099	Total Counter-RAM-STK12C68-P55			77	202*	IC9
	11040771	IC Socket – 28 PIN			77	113	(Socket)
	14075404	IC – EEPROM I2C BUS 32K DIP			85	267*	IC20
	11040764	IC Socket – 8 PIN			85	125	(Socket)

\* New index

### 33. Printer Control Board

Symbol No.	Index No.
IC9	202
(Socket)	113

### 34. BCU Board

Symbol No.	Index No.
IC20	267
(Socket)	125

**Reissued: 20-Feb-02**

Model: Model-J	Date: 15-Feb-02	No.: MG060002a
----------------	-----------------	----------------

**MB Correction**

The items in bold italics have been corrected.

Modified Article: Parts Catalog Correction		Prepared by: H.Someya	
From: Technical Services Dept., GTS Division			
Reason for Modification:	<input checked="" type="checkbox"/> Parts catalog correction	<input type="checkbox"/> Vendor change	<input type="checkbox"/> To meet standards (      )
	<input type="checkbox"/> To facilitate assembly	<input type="checkbox"/> To improve reliability	
	<input type="checkbox"/> Part standardization	<input type="checkbox"/> Other	

Please apply the following corrections to your Parts Catalogs:

Old part number	New part number	Description	Q'ty	Int	Page	Index	Note
G0601267	G0771267	Right Rear Cover			11	<b><i>17</i></b>	

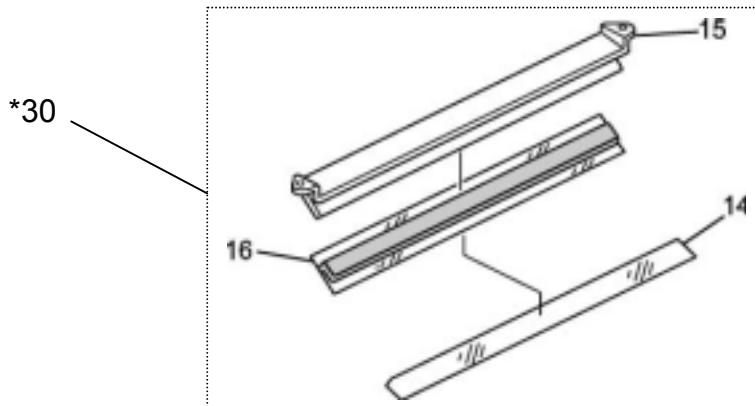
Model: Model-J P1b		Date: 3-Apr-02	No.: MG060003
Modified Article: Guide Plate – Middle Registration		Prepared by: T. Itoh	
From: Technical Services Dept., GTS Division			
Reason for Modification:	<input checked="" type="checkbox"/> Parts catalog correction	<input type="checkbox"/> Vendor change	<input type="checkbox"/> To meet standards ( )
	<input type="checkbox"/> To facilitate assembly	<input type="checkbox"/> To improve reliability	
	<input type="checkbox"/> Part standardization	<input type="checkbox"/> Other	

A new part, called the Guide Plate – Middle Registration, has been newly registered in place of the three individual parts shown below. This was done because accurate replacement of the Sheet for lower registration in the field is very difficult.

Therefore when one of these three parts needs replacement in the field, please replace all of them with the new (assembled) Guide Plate – Middle Registration.

Old part number	New part number	Description	Q'ty	Int	Page	Index	Note
G0602614		Guide Plate - Middle Registration	1 - 0		23	15	
G0602615		Guide - Lower Registration	1 - 0		23	16	
G0602632		Sheet - Lower Registration	1 - 0		23	14	
	▶ G0602613	Guide Plate - Middle Registration	0 - 1	X/O	23	*30	

**Note:** Please refer to RTB #RG060011 for troubleshooting information on registration area jams.



Model: Model J-P1b		Date: 10-Apr-02	No.: MG060004
Modified Article: Vertical Transport Lever		Prepared by: H. Someya	
From: Technical Services sec. Service Planning Dept.			
Reason for Modification:	<input type="checkbox"/> Parts catalog correction <input checked="" type="checkbox"/> To facilitate assembly <input type="checkbox"/> Part standardization	<input type="checkbox"/> Vendor change <input type="checkbox"/> To improve reliability <input type="checkbox"/> Other	<input type="checkbox"/> To meet standards (      )

To facilitate assembly on the production line, the following parts have been changed.

Old part number	New part number	Description	Q'ty	Int	Page	Index	Note
G0602670	G0602690	Lever – Vertical Transport	1-1	X/X	23	1	
G0602673	G0602691	Grip Shaft	1-1	X/X	23	2	

**Note:** All parts listed above must be replaced together as a set.

### RCL (Japan) Production

Model	V/Hz	Destination	Code	Serial Number
Ricoh Aficio AP3800C Savin SLP38c Gestetner DSc38 Lanier 2138	120V, 60Hz	USA, Canada	G060-17	P6010800001
Gestetner DSc38 Nashuatec DSc38 Rex Rotary DSc38	220 - 240V, 50/60Hz	Europe, etc.	G060-22	P6010800841
Lanier 2138 AH	220 - 240V, 50/60Hz	Europe, etc.	G060-24	L0881110001
Infotec IP 280	220 - 240V, 50/60Hz	Europe, etc.	G060-26	4G80810001
Ricoh Aficio AP3800C	220 - 240V, 50/60Hz	Europe, etc.	G060-27	P6010800941
Ricoh Aficio AP3800C	220 - 240V, 50/60Hz	Asia	G060-29	P6010801396

Model: Model J-P1b		Date: 11-Apr-02	No.: MG060005
Modified Article: Transfer Unit Release Lever Shaft		Prepared by: H. Someya	
From: Technical Services sec. Service Planning Dept.			
Reason for Modification:	<input type="checkbox"/> Parts catalog correction <input type="checkbox"/> To facilitate assembly <input type="checkbox"/> Part standardization	<input type="checkbox"/> Vendor change <input type="checkbox"/> To improve reliability <input checked="" type="checkbox"/> Other	<input type="checkbox"/> To meet standards (      )

To provide for smoother operation of the Transfer Unit Release Lever, the following part has been changed.

Old part number	New part number	Description	Q'ty	Int	Page	Index	Note
G0603692	G0603698	Stay	1-1	X/O	41	2	

### RCL (Japan) Production

Model	V/Hz	Destination	Code	Serial Number
Ricoh Aficio AP3800C Savin SLP38c Gestetner DSc38 Lanier 2138	120V, 60Hz	USA, Canada	G060-17	P6010800001
Gestetner DSc38 Nashuatec DSc38 Rex Rotary DSc38	220 - 240V, 50/60Hz	Europe, etc.	G060-22	P6010800841
Lanier 2138 AH	220 - 240V, 50/60Hz	Europe, etc.	G060-24	L0881110001
Infotec IP 280	220 - 240V, 50/60Hz	Europe, etc.	G060-26	4G80810001
Ricoh Aficio AP3800C	220 - 240V, 50/60Hz	Europe, etc.	G060-27	P6010800941
Ricoh Aficio AP3800C	220 - 240V, 50/60Hz	Asia	G060-29	P6010701125

Model: Model J-P1b		Date: 12-Apr-02	No.: MG060006
Modified Article: Harness – Fusing DC		Prepared by: H. Someya	
From: Technical Services sec. Service Planning Dept.			
Reason for Modification:	<input type="checkbox"/> Parts catalog correction <input type="checkbox"/> To facilitate assembly <input type="checkbox"/> Part standardization	<input type="checkbox"/> Vendor change <input type="checkbox"/> To improve reliability <input checked="" type="checkbox"/> Other	<input type="checkbox"/> To meet standards (      )

To make the Fusing DC line Harness more durable for the assembly process, protective tape has been added to some areas of the harness.

Old part number	New part number	Description	Q'ty	Int	Page	Index	Note
G0775453	G0775455	Harness – Fusing DC	1-1	X/O	67	16	

### RCL (Japan) Production

Model	V/Hz	Destination	Code	Serial Number
Ricoh Aficio AP3800C Savin SLP38c Gestetner DSc38 Lanier 2138	120V, 60Hz	USA, Canada	G060-17	P6010800001
Gestetner DSc38 Nashuatec DSc38 Rex Rotary DSc38	220 - 240V, 50/60Hz	Europe, etc.	G060-22	P6010800841
Lanier 2138 AH	220 - 240V, 50/60Hz	Europe, etc.	G060-24	L0881110001
Infotec IP 280	220 - 240V, 50/60Hz	Europe, etc.	G060-26	4G80810001
Ricoh Aficio AP3800C	220 - 240V, 50/60Hz	Europe, etc.	G060-27	P6010800941
Ricoh Aficio AP3800C	220 - 240V, 50/60Hz	Asia	G060-29	P6010801396

Model: Model J-P1b		Date: 12-Apr-02	No.: MG060007
Modified Article: Power Cord		Prepared by: H. Someya	
From: Technical Services sec. Service Planning Dept.			
Reason for Modification:	<input type="checkbox"/> Parts catalog correction	<input checked="" type="checkbox"/> Vendor change	<input type="checkbox"/> To meet standards ( )
	<input type="checkbox"/> To facilitate assembly	<input type="checkbox"/> To improve reliability	
	<input type="checkbox"/> Part standardization	<input type="checkbox"/> Other	

To improve the durability of the Power Cord, it has been changed over to a new vendor.

Old part number	New part number	Description	Q'ty	Int	Page	Index	Note
11500363	11500366	Power Cord – 125V 15A 2.5M	1-1	X/O	65	111	

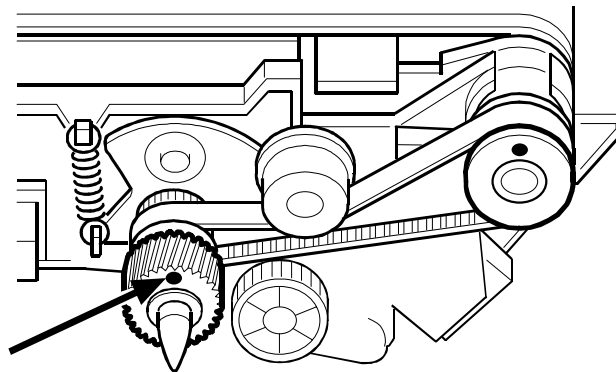
**RCL (Japan) Production**

Model	V/Hz	Destination	Code	Serial Number
Ricoh Aficio AP3800C Savin SLP38c Gestetner DSc38 Lanier 2138	120V, 60Hz	USA, Canada	G060-17	P6011200001

Model: Model J-P1b		Date: 15-Apr-02	No.: MG060008
Modified Article: Drive Roller		Prepared by: H. Someya	
From: Technical Services sec. Service Planning Dept.			
Reason for Modification:	<input type="checkbox"/> Parts catalog correction	<input type="checkbox"/> Vendor change	<input type="checkbox"/> To meet standards ( )
	<input type="checkbox"/> To facilitate assembly	<input type="checkbox"/> To improve reliability	
	<input type="checkbox"/> Part standardization	<input checked="" type="checkbox"/> Other	

The mark used for adjusting the phase of the Transfer Drive Roller has been incorporated into the part's mold (not applied manually as before).

Old part number	New part number	Description	Q'ty	Int	Page	Index	Note
G0603866	G0603703	Drive Roller	1-1	O/O	39	7	



### RCL (Japan) Production

Model	V/Hz	Destination	Code	Serial Number
Ricoh Aficio AP3800C Savin SLP38c Gestetner DSc38 Lanier 2138	120V, 60Hz	USA, Canada	G060-17	P6011000006
Gestetner DSc38 Nashuatec DSc38 Rex Rotary DSc38	220 - 240V, 50/60Hz	Europe, etc.	G060-22	P6011000793
Lanier 2138 AH	220 - 240V, 50/60Hz	Europe, etc.	G060-24	L0881110001
Infotec IP 280	220 - 240V, 50/60Hz	Europe, etc.	G060-26	4G81010001
Ricoh Aficio AP3800C	220 - 240V, 50/60Hz	Europe, etc.	G060-27	P6011001617
Ricoh Aficio AP3800C	220 - 240V, 50/60Hz	Asia	G060-29	P6011002121



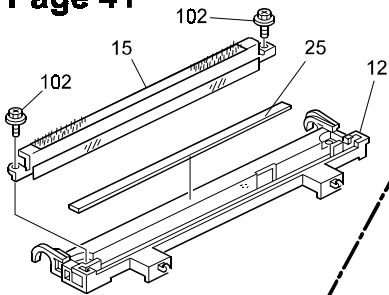
Model: Model J-P1b		Date: 15-Apr-02	No.: MG060009
Modified Article: Cushion for Transfer Brush		Prepared by: H. Someya	
From: Technical Services sec. Service Planning Dept.			
Reason for Modification:	<input type="checkbox"/> Parts catalog correction	<input type="checkbox"/> Vendor change	<input type="checkbox"/> To meet standards ( )
	<input type="checkbox"/> To facilitate assembly	<input type="checkbox"/> To improve reliability	
	<input type="checkbox"/> Part standardization	<input checked="" type="checkbox"/> Other	

The following cushions have been newly added to absorb the vibration of the Transfer Charge Brushes, which can generate a low humming noise when a toner/dust buildup on the brush fibers increases the friction between the fibers and transfer belt.

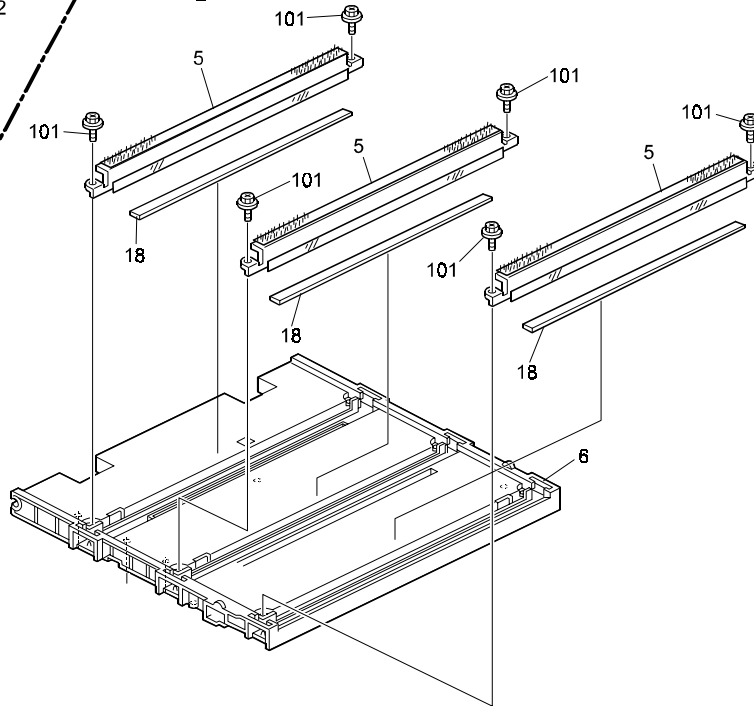
On production machines after the cut-in numbers below, the cushions are attached directly onto the unit underneath the brushes. For machines in the field, the cushions should be attached according to the detailed procedure in RTB #RG060009.

Old part number	New part number	Description	Q'ty	Int	Page	Index	Note
	G0603705	Cushion – Transfer Brush	0-1		41	25	new
	G0603705	Cushion – Transfer Brush	0-3		43	18	new

**Page 41**



**Page 43**



Model: Model J-P1b

Date: 15-Apr-02

No.: MG060009

**RCL (Japan) Production**

<b>Model</b>	<b>V/Hz</b>	<b>Destination</b>	<b>Code</b>	<b>Serial Number</b>
Ricoh Aficio AP3800C Savin SLP38c Gestetner DSc38 Lanier 2138	120V, 60Hz	USA, Canada	G060-17	P601080001
Gestetner DSc38 Nashuatec DSc38 Rex Rotary DSc38	220 - 240V, 50/60Hz	Europe, etc.	G060-22	P6010800919
Lanier 2138 AH	220 - 240V, 50/60Hz	Europe, etc.	G060-24	L0881110001
Infotec IP 280	220 - 240V, 50/60Hz	Europe, etc.	G060-26	4G80810001
Ricoh Aficio AP3800C	220 - 240V, 50/60Hz	Europe, etc.	G060-27	P6010801286
Ricoh Aficio AP3800C	220 - 240V, 50/60Hz	Asia	G060-29	P6010801396

Model: Model J-P1b		Date: 14-May-02	No.: MG060010
Modified Article: Controller		Prepared by: H. Someya	
From: Technical Services sec. Service Planning Dept.			
Reason for Modification:	<input type="checkbox"/> Parts catalog correction	<input type="checkbox"/> Vendor change	<input type="checkbox"/> To meet standards ( )
	<input type="checkbox"/> To facilitate assembly	<input type="checkbox"/> To improve reliability	
	<input type="checkbox"/> Part standardization	<input checked="" type="checkbox"/> Other	

To further improve printing performance, the clock speed of the Controller CPU has been increased from 250MHz to 300MHz.

Internal test results show an average increase in mainframe processing speed of 10% with PCL, 7% with PS, and 4% with RPCS drivers – depending on the specific combination of PC, application and file data used.

Old part number	New part number	Description	Q'ty	Int	Page	Index	Note
G0605740	G0775740	Controller Board	1-1	O/O	67	3	
			1-1	O/O	77	*	
G0605980		Heat Sink	1-0		77	2	
14075297		IC - RM7000-250T-REV1.2E	1-0		77	124	
	→ 14075665	IC - RM7000A-300T-REV1.3	0-1		77	124	
16341501		Resistor – 1.5kΩ ±1% 1/16W	1-0		77	182	
	→ 16101486	Resistor – 2kΩ ±0.5% 1/16W	0-1		77	182	
16303519		Resistor – 5.1Ω ±5% 1/10W	2-0		77	161	
	→ 16503109	Resistor – 1Ω ±5% 1/8W	0-2		77	161	
16341621		Resistor – 1.62kΩ ±1% 1/16W	1-0		77	183	
	→ 16546800	Resistor – 680Ω ±1% 1/10W	0-1		77	183	

### RCL (Japan) Production

Model	V/Hz	Destination	Code	Serial Number
Ricoh Aficio AP3800C Savin SLP38c Gestetner DSc38 Lanier 2138	120V, 60Hz	USA, Canada	G060-17	P6011000502
Gestetner DSc38 Nashuatec DSc38 Rex Rotary DSc38	220 - 240V, 50/60Hz	Europe, etc.	G060-22	P6011100920
Lanier 2138 AH	220 - 240V, 50/60Hz	Europe, etc.	G060-24	L0881110001
Infotec IP 280	220 - 240V, 50/60Hz	Europe, etc.	G060-26	4G81110001
Ricoh Aficio AP3800C	220 - 240V, 50/60Hz	Europe, etc.	G060-27	P6011001617
Ricoh Aficio AP3800C	220 - 240V, 50/60Hz	Asia	G060-29	P6011002121

Model: Model J-P1b		Date: 17-May-02	No.: MG060011
Modified Article: Decal - Vertical Transport		Prepared by: H.Someya	
From: Technical Services sec. Service Planning Dept.			
Reason for Modification:	<input type="checkbox"/> Parts catalog correction	<input type="checkbox"/> Vendor change	<input type="checkbox"/> To meet standards (      )
	<input type="checkbox"/> To facilitate assembly	<input type="checkbox"/> To improve reliability	
	<input type="checkbox"/> Part standardization	<input checked="" type="checkbox"/> Other	

The material of the PUSH decal attached to the Vertical Transport Unit has been changed to match that of the unit itself.

Old part number	New part number	Description	Q'ty	Int	Page	Index	Note
GA003029	GA003044	Decal – Vertical Transport 2	1-1	X/O	25	3	

### RCL (Japan) Production

Model	V/Hz	Destination	Code	Serial Number
Ricoh Aficio AP3800C Savin SLP38c Gestetner DSc38 Lanier 2138	120V, 60Hz	USA, Canada	G060-17	P6011000001
Gestetner DSc38 Nashuatec DSc38 Rex Rotary DSc38	220 - 240V, 50/60Hz	Europe, etc.	G060-22	P6011000781
Lanier 2138 AH	220 - 240V, 50/60Hz	Europe, etc.	G060-24	L0881110001
Infotec IP 280	220 - 240V, 50/60Hz	Europe, etc.	G060-26	4G81010001
Ricoh Aficio AP3800C	220 - 240V, 50/60Hz	Europe, etc.	G060-27	P6011000996
Ricoh Aficio AP3800C	220 - 240V, 50/60Hz	Asia	G060-29	P6011002121

Model: Model J-P1b		Date: 17-May-02	No.: MG060012
Modified Article: PCU		Prepared by: H. Someya	
From: Technical Services sec. Service Planning Dept.			
Reason for Modification:	<input type="checkbox"/> Parts catalog correction <input type="checkbox"/> To facilitate assembly <input type="checkbox"/> Part standardization	<input type="checkbox"/> Vendor change <input type="checkbox"/> To improve reliability <input checked="" type="checkbox"/> Other	<input type="checkbox"/> To meet standards (      )

The shape of the PCU has been changed to ensure the Development Side Seal does not peel off, which can cause firefly spots.

Old part number	New part number	Description	Q'ty	Int	Page	Index	Note
G0602219	G0602221	PCU - CMY	3-3	X/O	35	1	

### RCL (Japan) Production

Model	V/Hz	Destination	Code	Serial Number
Ricoh Aficio AP3800C Savin SLP38c Gestetner DSc38 Lanier 2138	120V, 60Hz	USA, Canada	G060-17	P6010800164
Gestetner DSc38 Nashuatec DSc38 Rex Rotary DSc38	220 - 240V, 50/60Hz	Europe, etc.	G060-22	P6010900394
Lanier 2138 AH	220 - 240V, 50/60Hz	Europe, etc.	G060-24	L0881110001
Infotec IP 280	220 - 240V, 50/60Hz	Europe, etc.	G060-26	4G80910001
Ricoh Aficio AP3800C	220 - 240V, 50/60Hz	Europe, etc.	G060-27	P6010801286
Ricoh Aficio AP3800C	220 - 240V, 50/60Hz	Asia	G060-29	P6010901348

Model: Model J-P1b		Date: 17-May-02	No.: MG060013
Modified Article: Fly Wheel - CMY Stepper Motor		Prepared by: H. Someya	
From: Technical Services sec. Service Planning Dept.			
Reason for Modification:	<input type="checkbox"/> Parts catalog correction	<input type="checkbox"/> Vendor change	<input type="checkbox"/> To meet standards ( )
	<input type="checkbox"/> To facilitate assembly	<input type="checkbox"/> To improve reliability	
	<input type="checkbox"/> Part standardization	<input checked="" type="checkbox"/> Other	

The size of the Fly Wheel has been increased to improve image quality by minimizing banding.

Old part number	New part number	Description	Q'ty	Int	Page	Index	Note
G0771159	G0771168	Fly Wheel – CMY Stepper Motor	1-1	X/O	57	27	
05730030E		Hexagon Headless Set Screw – M3x3	1-0		57	112	
	05740060E	Hexagon Headless Set Screw – M4x6	0-1		57	112	

### RCL (Japan) Production

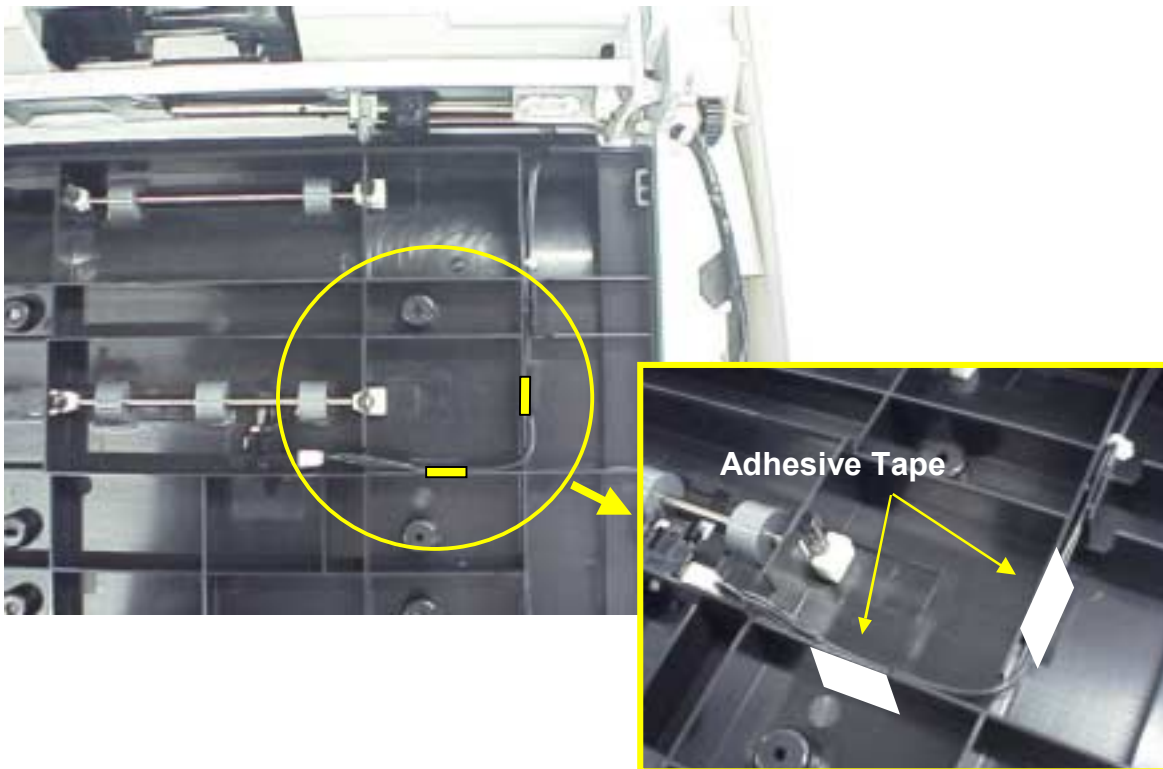
Model	V/Hz	Destination	Code	Serial Number
Ricoh Aficio AP3800C Savin SLP38c Gestetner DSc38 Lanier 2138	120V, 60Hz	USA, Canada	G060-17	P6010800001
Gestetner DSc38 Nashuatec DSc38 Rex Rotary DSc38	220 - 240V, 50/60Hz	Europe, etc.	G060-22	P6010800841
Lanier 2138 AH	220 - 240V, 50/60Hz	Europe, etc.	G060-24	L0881110001
Infotec IP 280	220 - 240V, 50/60Hz	Europe, etc.	G060-26	4G80810001
Ricoh Aficio AP3800C	220 - 240V, 50/60Hz	Europe, etc.	G060-27	P6010801286
Ricoh Aficio AP3800C	220 - 240V, 50/60Hz	Asia	G060-29	P6010801396

Model: Model J-P1b		Date: 17-May-02	No.: MG060014
Modified Article: Sensor harness - Paper feed unit		Prepared by: H. Someya	
From: Technical Services sec. Service Planning Dept.			
Reason for Modification:	<input type="checkbox"/> Parts catalog correction	<input type="checkbox"/> Vendor change	<input type="checkbox"/> To meet standards ( )
	<input type="checkbox"/> To facilitate assembly	<input type="checkbox"/> To improve reliability	
	<input type="checkbox"/> Part standardization	<input checked="" type="checkbox"/> Other	

The Harness for the vertical transport sensor has been fixed to the Transport Guide Plate with tape to ensure it does not get caught between the Guide Plate and Lower Cover during factory assembly.

If this tape is necessary in the field, please order using the following (existing) part number:

Part number	Description	Q'ty	Int	Page	Index	Note
G0123897	Film – Toner End Sensor Harness	0-2		23	30	new



Model: Model J-P1b

Date: 17-May-02

No.: MG060014

**RCL (Japan) Production**

<b>Model</b>	<b>V/Hz</b>	<b>Destination</b>	<b>Code</b>	<b>Serial Number</b>
Ricoh Aficio AP3800C Savin SLP38c Gestetner DSc38 Lanier 2138	120V, 60Hz	USA, Canada	G060-17	P601120001
Gestetner DSc38 Nashuatec DSc38 Rex Rotary DSc38	220 - 240V, 50/60Hz	Europe, etc.	G060-22	P6011201282
Lanier 2138 AH	220 - 240V, 50/60Hz	Europe, etc.	G060-24	L0881120001
Infotec IP 280	220 - 240V, 50/60Hz	Europe, etc.	G060-26	4G81210001
Ricoh Aficio AP3800C	220 - 240V, 50/60Hz	Europe, etc.	G060-27	P6011201572
Ricoh Aficio AP3800C	220 - 240V, 50/60Hz	Asia	G060-29	P6011202836



Model: Model J-P1b		Date: 17-May-02	No.: MG060015
Modified Article: Release lever stopper		Prepared by: H. Someya	
From: Technical Services sec. Service Planning Dept.			
Reason for Modification:	<input type="checkbox"/> Parts catalog correction	<input type="checkbox"/> Vendor change	<input type="checkbox"/> To meet standards ( )
	<input type="checkbox"/> To facilitate assembly	<input type="checkbox"/> To improve reliability	
	<input type="checkbox"/> Part standardization	<input checked="" type="checkbox"/> Other	

The Release Lever Stopper for the Transfer Unit has been deleted since there is already a stay in place preventing simple removal of the unit.

Old part number	New part number	Description	Q'ty	Int	Page	Index	Note
G0603674		Release Lever Stopper	1-0		37	20	

### RCL (Japan) Production

Model	V/Hz	Destination	Code	Serial Number
Ricoh Aficio AP3800C Savin SLP38c Gestetner DSc38 Lanier 2138	120V, 60Hz	USA, Canada	G060-17	P601070011
Gestetner DSc38 Nashuatec DSc38 Rex Rotary DSc38	220 - 240V, 50/60Hz	Europe, etc.	G060-22	P6010700544
Lanier 2138 AH	220 - 240V, 50/60Hz	Europe, etc.	G060-24	L0881110001
Infotec IP 280	220 - 240V, 50/60Hz	Europe, etc.	G060-26	4G80810001
Ricoh Aficio AP3800C	220 - 240V, 50/60Hz	Europe, etc.	G060-27	P6010800941
Ricoh Aficio AP3800C	220 - 240V, 50/60Hz	Asia	G060-29	P6010701114

Model: Model J-P1b		Date: 24-Jun-02	No.: MG060016
Modified Article: Right Frame - Transfer Unit		Prepared by: H. Someya	
From: Technical Services sec. Service Planning Dept.			
Reason for Modification:	<input type="checkbox"/> Parts catalog correction	<input type="checkbox"/> Vendor change	<input type="checkbox"/> To meet standards ( )
	<input type="checkbox"/> To facilitate assembly	<input type="checkbox"/> To improve reliability	
	<input type="checkbox"/> Part standardization	<input checked="" type="checkbox"/> Other	

To minimize the back-and-forth play of the Transfer Brush on the Right Frame, the shape of the attachment area on the Right Frame has been changed.

Old part number	New part number	Description	Q'ty	Int	Page	Index	Note
G0603691	G0603704	Right Frame	1-1	X/O	43	6	

### RCL (Japan) Production

Model	V/Hz	Destination	Code	Serial Number
Ricoh Aficio AP3800C Savin SLP38c Gestetner DSc38 Lanier 2138	120V, 60Hz	USA, Canada	G060-17	P6010800556
Gestetner DSc38 Nashuatec DSc38 Rex Rotary DSc38	220 - 240V, 50/60Hz	Europe, etc.	G060-22	P6010900394
Lanier 2138 AH	220 - 240V, 50/60Hz	Europe, etc.	G060-24	L0881110001
Infotec IP 280	220 - 240V, 50/60Hz	Europe, etc.	G060-26	4G80910001
Ricoh Aficio AP3800C	220 - 240V, 50/60Hz	Europe, etc.	G060-27	P6010900494
Ricoh Aficio AP3800C	220 - 240V, 50/60Hz	Asia	G060-29	P6010901348

Model: Model J-P1b		Date: 24-Jun-02	No.: MG060017
Modified Article: Toner Supply Tube		Prepared by: H. Someya	
From: Technical Services sec. Service Planning Dept.			
Reason for Modification:	<input type="checkbox"/> Parts catalog correction <input type="checkbox"/> To facilitate assembly <input type="checkbox"/> Part standardization	<input type="checkbox"/> Vendor change <input type="checkbox"/> To improve reliability <input checked="" type="checkbox"/> Other	<input type="checkbox"/> To meet standards (      )

To ensure that the magenta toner supply system stays properly sealed, the length of the magenta toner supply tube has been increased from 230mm to 410mm. In addition, to ensure that the tube does not bend, a Guide Coil has been added.

Old part number	New part number	Description	Q'ty	Int	Page	Index	Note
G0603239	G0603241	Tube – M Toner Supply	1-1	X/O	31	11	
	AA063656	Guide Coil – M Tube	0-1		31	22	new

### RCL (Japan) Production

Model	V/Hz	Destination	Code	Serial Number
Ricoh Aficio AP3800C Savin SLP38c Gestetner DSc38 Lanier 2138	120V, 60Hz	USA, Canada	G060-17	P6011000001
Gestetner DSc38 Nashuatec DSc38 Rex Rotary DSc38	220 - 240V, 50/60Hz	Europe, etc.	G060-22	P6011000781
Lanier 2138 AH	220 - 240V, 50/60Hz	Europe, etc.	G060-24	L0881110001
Infotec IP 280	220 - 240V, 50/60Hz	Europe, etc.	G060-26	4G81010001
Ricoh Aficio AP3800C	220 - 240V, 50/60Hz	Europe, etc.	G060-27	P6010900993
Ricoh Aficio AP3800C	220 - 240V, 50/60Hz	Asia	G060-29	P6011002121

Model: Model J-P1b		Date: 1-Jul-02	No.: MG060018
Modified Article: Transfer Belt Contact Motor		Prepared by: H. Someya	
From: Technical Services sec. Service Planning Dept.			
Reason for Modification:	<input type="checkbox"/> Parts catalog correction	<input type="checkbox"/> Vendor change	<input type="checkbox"/> To meet standards ( )
	<input type="checkbox"/> To facilitate assembly	<input type="checkbox"/> To improve reliability	
	<input type="checkbox"/> Part standardization	<input checked="" type="checkbox"/> Other	

When an outside force is applied to the bracket for the Transfer Belt Contact Motor shaft, the bracket can deform and the gear can separate from the bracket. A reinforcing section has been added to the bracket so that even when such an external force is applied, the bracket will be supported by both this newly added area and the Drum Motor Bracket.



Old part number	New part number	Description	Q'ty	Int	Page	Index	Note
G0603706	G0773706	DC Motor – 1.56W	1-1	X/O	59	8	

### RCL (Japan) Production

Model	V/Hz	Destination	Code	Serial Number
Ricoh Aficio AP3800C Savin SLP38c Gestetner DSc38 Lanier 2138	120V, 60Hz	USA, Canada	G060-17	P6011200613
Gestetner DSc38 Nashuatec DSc38 Rex Rotary DSc38	220 - 240V, 50/60Hz	Europe, etc.	G060-22	P6011203274
Lanier 2138 AH	220 - 240V, 50/60Hz	Europe, etc.	G060-24	L0882010001
Infotec IP 280	220 - 240V, 50/60Hz	Europe, etc.	G060-26	4G80120001
Ricoh Aficio AP3800C	220 - 240V, 50/60Hz	Europe, etc.	G060-27	P6011202067
Ricoh Aficio AP3800C	220 - 240V, 50/60Hz	Asia	G060-29	P6011202836

Model: Model J-P1b		Date: 1-Jul-02	No.: MG060019
Modified Article: Transfer belt contact motor		Prepared by: H. Someya	
From: Technical Services sec. Service Planning Dept.			
Reason for Modification:	<input type="checkbox"/> Parts catalog correction	<input type="checkbox"/> Vendor change	<input type="checkbox"/> To meet standards ( )
	<input type="checkbox"/> To facilitate assembly	<input type="checkbox"/> To improve reliability	
	<input type="checkbox"/> Part standardization	<input checked="" type="checkbox"/> Other	

The shaft of the Transfer Belt Contact Motor can sometimes disconnect from its bracket, causing the gear to fail. To increase the contact area with the bracket, the bushing inside motor has been lengthened.



Old part number	New part number	Description	Q'ty	Int	Page	Index	Note
G0603990	G0603706	DC Motor – 1.56W	1-1	X/O	59	8	

### RCL (Japan) Production

Model	V/Hz	Destination	Code	Serial Number
Ricoh Aficio AP3800C Savin SLP38c Gestetner DSc38 Lanier 2138	120V, 60Hz	USA, Canada	G060-17	P6011100049
Gestetner DSc38 Nashuatec DSc38 Rex Rotary DSc38	220 - 240V, 50/60Hz	Europe, etc.	G060-22	P60112xxxxx
Lanier 2138 AH	220 - 240V, 50/60Hz	Europe, etc.	G060-24	L0881110001
Infotec IP 280	220 - 240V, 50/60Hz	Europe, etc.	G060-26	4G81210001
Ricoh Aficio AP3800C	220 - 240V, 50/60Hz	Europe, etc.	G060-27	P6011002054
Ricoh Aficio AP3800C	220 - 240V, 50/60Hz	Asia	G060-29	P6011102195

Model: Model J-P1b		Date: 18-Jul-02	No.: MG060020
Modified Article: Decal - Jam Removal		Prepared by:	
From: Technical Services sec. Service Planning Dept.			
Reason for Modification:	<input type="checkbox"/> Parts catalog correction <input type="checkbox"/> To facilitate assembly <input type="checkbox"/> Part standardization	<input type="checkbox"/> Vendor change <input type="checkbox"/> To improve reliability <input checked="" type="checkbox"/> Other	<input type="checkbox"/> To meet standards (      )

The Decal on the inside of the Front Cover, which demonstrates how to remove jammed paper, has been changed to include more clear illustrations for customers.

Old part number	New part number	Description	Q'ty	Int	Page	Index	Note
G0601292	G0771292	Sheet – Jam Removal	1-1	X/O	9	3	

### RCL (Japan) Production

Model	V/Hz	Destination	Code	Serial Number
Ricoh Aficio AP3800C Savin SLP38c Gestetner DSc38 Lanier 2138	120V, 60Hz	USA, Canada	G060-17	P601110001
Gestetner DSc38 Nashuatec DSc38 Rex Rotary DSc38	220 - 240V, 50/60Hz	Europe, etc.	G060-22	P6011100920
Lanier 2138 AH	220 - 240V, 50/60Hz	Europe, etc.	G060-24	L0881110001
Infotec IP 280	220 - 240V, 50/60Hz	Europe, etc.	G060-26	4G81110001
Ricoh Aficio AP3800C	220 - 240V, 50/60Hz	Europe, etc.	G060-27	P6011101150
Ricoh Aficio AP3800C	220 - 240V, 50/60Hz	Asia	G060-29	P6011102160

Model: Model J-P1b		Date: 19-Jul-02	No.: MG060021
Modified Article: Shaft - Paper Sensor		Prepared by: H. Someya	
From: Technical Services sec. Service Planning Dept.			
Reason for Modification:	<input type="checkbox"/> Parts catalog correction <input type="checkbox"/> To facilitate assembly <input type="checkbox"/> Part standardization	<input type="checkbox"/> Vendor change <input checked="" type="checkbox"/> To improve reliability <input type="checkbox"/> Other	<input type="checkbox"/> To meet standards (        )

The shape of the feeler for the Paper Overflow Sensor has been changed to ensure that it stays properly engaged when the paper is fed out or the paper stack removed.

Old part number	New part number	Description	Q'ty	Int	Page	Index	Note
G0604483	G0604479	Shaft – Paper Sensor	1-1	X/O	53	18	

### RCL (Japan) Production

Model	V/Hz	Destination	Code	Serial Number
Ricoh Aficio AP3800C Savin SLP38c Gestetner DSc38 Lanier 2138	120V, 60Hz	USA, Canada	G060-17	P6011200001
Gestetner DSc38 Nashuatec DSc38 Rex Rotary DSc38	220 - 240V, 50/60Hz	Europe, etc.	G060-22	P6011201282
Lanier 2138 AH	220 - 240V, 50/60Hz	Europe, etc.	G060-24	L0881120001
Infotec IP 280	220 - 240V, 50/60Hz	Europe, etc.	G060-26	4G81210001
Ricoh Aficio AP3800C	220 - 240V, 50/60Hz	Europe, etc.	G060-27	P6011201572
Ricoh Aficio AP3800C	220 - 240V, 50/60Hz	Asia	G060-29	P6011202836

Model: Model J-P1b		Date: 26-Jul-02	No.: MG060022
Modified Article: Paper Feed Motor Unit		Prepared by: H. Someya	
From: Technical Services sec. Service Planning Dept.			
Reason for Modification:	<input type="checkbox"/> Parts catalog correction	<input type="checkbox"/> Vendor change	<input type="checkbox"/> To meet standards ( )
	<input type="checkbox"/> To facilitate assembly	<input checked="" type="checkbox"/> To improve reliability	
	<input type="checkbox"/> Part standardization	<input type="checkbox"/> Other	

To ensure the rubber sheet inside the cushion of the Paper Feed Motor stays properly fixed in place, the adhesive for the cushion has been strengthened.

Old part number	New part number	Description	Q'ty	Int	Page	Index	Note
G0771170	G0771172	Paper Feed Motor Unit – DC4.42W	1-1	X/O	63	14	
AA161149	AA161153	Motor Cushion	1-1	X/O	63	16	



Model: Model J-P1b		Date: 26-Jul-02	No.: MG060023
Modified Article: Transfer Belt Unit		Prepared by: H. Someya	
From: Technical Services sec. Service Planning Dept.			
Reason for Modification:	<input type="checkbox"/> Parts catalog correction	<input type="checkbox"/> Vendor change	<input type="checkbox"/> To meet standards ( )
	<input type="checkbox"/> To facilitate assembly	<input type="checkbox"/> To improve reliability	
	<input type="checkbox"/> Part standardization	<input checked="" type="checkbox"/> Other	

To further ensure that the Transfer Unit is protected against excessive shock and vibration during transport, a securing pin has been added to the unit.

Old part number	New part number	Description	Q'ty	Int	Page	Index	Note
G0603802	G0603840	Transfer Unit	1-1	O/O	37	19	

Model: Model J-P1b		Date: 26-Jul-02	No.: MG060024
Modified Article: Waste Toner Collection Coil		Prepared by: H.Someya	
From: Technical Services sec. Service Planning Dept.			
Reason for Modification:	<input type="checkbox"/> Parts catalog correction <input type="checkbox"/> To facilitate assembly <input type="checkbox"/> Part standardization	<input type="checkbox"/> Vendor change <input type="checkbox"/> To improve reliability <input checked="" type="checkbox"/> Other	<input type="checkbox"/> To meet standards (      )

To ensure that Cyan waste toner does not build up in the collection tube, the tube coil has been lengthened and the shape of the tube changed.

Old part number	New part number	Description	Q'ty	Int	Page	Index	Note
G0603353	G0603355	Pump – C toner Supply Unit	1-1	X/X	55	12	
G0603386	G0603390	Case – C	1-1	X/X	55	7	

**Note:** All parts listed above must be replaced together as a set.

### RCL (Japan) Production

Model	V/Hz	Destination	Code	Serial Number
Ricoh Aficio AP3800C Savin SLP38c Gestetner DSc38 Lanier 2138	120V, 60Hz	USA, Canada	G060-17	P6020201389
Gestetner DSc38 Nashuatec DSc38 Rex Rotary DSc38	220 - 240V, 50/60Hz	Europe, etc.	G060-22	P6020300850
Lanier 2138 AH	220 - 240V, 50/60Hz	Europe, etc.	G060-24	L0882030001
Infotec IP 280	220 - 240V, 50/60Hz	Europe, etc.	G060-26	4G80320001
Ricoh Aficio AP3800C	220 - 240V, 50/60Hz	Europe, etc.	G060-27	P6020301426
Ricoh Aficio AP3800C	220 - 240V, 50/60Hz	Asia	G060-29	P6020302986

Model: Model J-P1b		Date: 26-Jul-02	No.: MG060025
Modified Article: Imaging Unit		Prepared by: H. Someya	
From: Technical Services sec. Service Planning Dept.			
Reason for Modification:	<input type="checkbox"/> Parts catalog correction <input type="checkbox"/> To facilitate assembly <input type="checkbox"/> Part standardization	<input type="checkbox"/> Vendor change <input type="checkbox"/> To improve reliability <input checked="" type="checkbox"/> Other	<input type="checkbox"/> To meet standards (      )

The shapes of the Imaging Unit Cover and Duct have been changed to modify the airflow around the laser optics housing unit. This was done to ensure that the hot air from the Polygon Mirror Motor does not warp the F-theta lens, which can cause shifts in the main scan magnification for each color.

Old part number	New part number	Description	Q'ty	Int	Page	Index	Note
G0771855	G0771856	Imaging Unit	1-1	X/X	13	1	
G0601041	G0771041	Imaging Unit Duct	1-1	X/X	13	17	

**Note:** All parts listed above must be replaced together as a set.

**RCL (Japan) Production**

Model	V/Hz	Destination	Code	Serial Number
Ricoh Aficio AP3800C Savin SLP38c Gestetner DSc38 Lanier 2138	120V, 60Hz	USA, Canada	G060-17	P6020600001
Gestetner DSc38 Nashuatec DSc38 Rex Rotary DSc38	220 - 240V, 50/60Hz	Europe, etc.	G060-22	P6020600851
Lanier 2138 AH	220 - 240V, 50/60Hz	Europe, etc.	G060-24	L0882060001
Infotec IP 280	220 - 240V, 50/60Hz	Europe, etc.	G060-26	4G80620001
Ricoh Aficio AP3800C	220 - 240V, 50/60Hz	Europe, etc.	G060-27	P6020601401
Ricoh Aficio AP3800C	220 - 240V, 50/60Hz	Asia	G060-29	P6020602301

Model: Model J-P1b		Date: 30-Jul-02	No.: MG060026
Modified Article: Paper Exit Gear & Bracket		Prepared by: H. Someya	
From: Technical Services sec. Service Planning Dept.			
Reason for Modification:	<input type="checkbox"/> Parts catalog correction <input checked="" type="checkbox"/> To facilitate assembly <input type="checkbox"/> Part standardization	<input type="checkbox"/> Vendor change <input type="checkbox"/> To improve reliability <input type="checkbox"/> Other	<input type="checkbox"/> To meet standards (      )

To facilitate factory assembly of the Paper Exit gear train, minor changes in the dimensions of the following parts have been made.

Old part number	New part number	Description	Q'ty	Int	Page	Index	Note
G0604462	G0774462	Gear – Z18/T28	1-1	X/X	53	33	
G0604464	G0774464	Bracket Gear	1-1	X/X	53	32	

**Note:** All parts listed above must be replaced together as a set.

### RCL (Japan) Production

Model	V/Hz	Destination	Code	Serial Number
Ricoh Aficio AP3800C Savin SLP38c Gestetner DSc38 Lanier 2138	120V, 60Hz	USA, Canada	G060-17	P602040001
Gestetner DSc38 Nashuatec DSc38 Rex Rotary DSc38	220 - 240V, 50/60Hz	Europe, etc.	G060-22	P6020401156
Lanier 2138 AH	220 - 240V, 50/60Hz	Europe, etc.	G060-24	L0882040001
Infotec IP 280	220 - 240V, 50/60Hz	Europe, etc.	G060-26	4G80420001
Ricoh Aficio AP3800C	220 - 240V, 50/60Hz	Europe, etc.	G060-27	P6020401756
Ricoh Aficio AP3800C	220 - 240V, 50/60Hz	Asia	G060-29	P6020401955

Model: Model J-P1b		Date: 6-Sep-02	No.: MG060027
Modified Article: NVRAM on BCU board		Prepared by: H. Someya	
From: Technical Services sec. Service Planning Dept.			
Reason for Modification:	<input type="checkbox"/> Parts catalog correction <input type="checkbox"/> To facilitate assembly <input type="checkbox"/> Part standardization	<input type="checkbox"/> Vendor change <input type="checkbox"/> To improve reliability <input checked="" type="checkbox"/> Other	<input type="checkbox"/> To meet standards (      )

SP7-908-1 thru 8 have been added to store the average Pixel Coverage Ratios for each toner color. With this new counter, B/W pages that follow color pages in ACS will not be included in pixel coverage ratios for CMY toner (only for black). For this new counter, the capacity of the NVRAM on the BCU board has been changed to 8kB.

**Note:** This feature also requires engine main firmware version B1.17C or newer and controller firmware version 2.13 or newer.

Old part number	New part number	Description	Q'ty	Int	Page	Index	Note
14075404		IC - EEPROM I2C BUS 32K DIP	1-1	X/O	85	267	
	14075751	IC - NVRAM I2C BUS 64K DIP					

### RCL (Japan) Production

Model	V/Hz	Destination	Code	Serial Number
Ricoh Aficio AP3800C Savin SLP38c Gestetner DSc38 Lanier 2138	120V, 60Hz	USA, Canada	G060-17	P6020300001
Gestetner DSc38 Nashuatec DSc38 Rex Rotary DSc38	220 - 240V, 50/60Hz	Europe, etc.	G060-22	P6020300850
Lanier 2138 AH	220 - 240V, 50/60Hz	Europe, etc.	G060-24	L0882030001
Infotec IP 280	220 - 240V, 50/60Hz	Europe, etc.	G060-26	4G80320001
Ricoh Aficio AP3800C	220 - 240V, 50/60Hz	Europe, etc.	G060-27	P6020301426
Ricoh Aficio AP3800C	220 - 240V, 50/60Hz	Asia	G060-29	P6020302986

Model: Model J-P1b		Date: 18-Sep-02	No.: MG060028
Modified Article: Front Registration Bushing		Prepared by: H. Someya	
From: Technical Services sec. Service Planning Dept.			
Reason for Modification:	<input type="checkbox"/> Parts catalog correction	<input type="checkbox"/> Vendor change	<input type="checkbox"/> To meet standards ( )
	<input checked="" type="checkbox"/> To facilitate assembly	<input type="checkbox"/> To improve reliability	
	<input type="checkbox"/> Part standardization	<input type="checkbox"/> Other	

To facilitate skew adjustments performed on the registration section on the production line, the Front Bushing of the Registration Drive Roller and Fixing Screw have been changed.

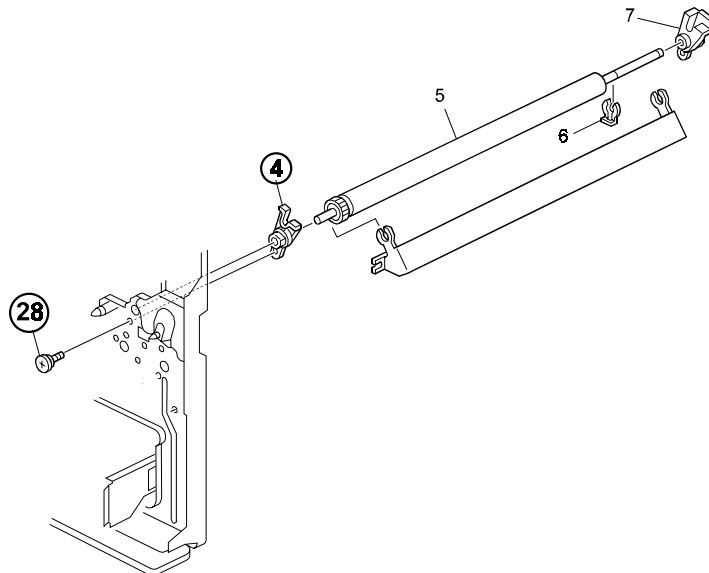
Old part number	New part number	Description	Q'ty	Int	Page	Index	Note
G0602678	G0602684	Front Registration Bushing – M8	1-1	X/X	29	4	
04513006B		Tapping Screw – M3x6	1-0	X/X	29	101	
	→ A2596239	Screw – M3x4	0-1	X/X	29	28 *1	

\*1: New Index

**Note:** All parts listed above must be replaced together as a set.

### RCL (Japan) Production

Model	V/Hz	Destination	Code	Serial Number
Ricoh Aficio AP3800C Savin SLP38c Gestetner DSc38 Lanier 2138	120V, 60Hz	USA, Canada	G060-17	P6010800001
Gestetner DSc38 Nashuatec DSc38 Rex Rotary DSc38	220 - 240V, 50/60Hz	Europe, etc.	G060-22	P6010800841
Lanier 2138 AH	220 - 240V, 50/60Hz	Europe, etc.	G060-24	L0881110001
Infotec IP 280	220 - 240V, 50/60Hz	Europe, etc.	G060-26	4G80810001
Ricoh Aficio AP3800C	220 - 240V, 50/60Hz	Europe, etc.	G060-27	P6010800941
Ricoh Aficio AP3800C	220 - 240V, 50/60Hz	Asia	G060-29	P6010801396



Model: Model J-P1b		Date: 18-Sep-02	No.: MG060029
Modified Article: Snap Ring		Prepared by: H. Someya	
From: Technical Services sec. Service Planning Dept.			
Reason for Modification:	<input checked="" type="checkbox"/> Parts catalog correction	<input type="checkbox"/> Vendor change	<input type="checkbox"/> To meet standards ( )
	<input type="checkbox"/> To facilitate assembly	<input type="checkbox"/> To improve reliability	
	<input type="checkbox"/> Part standardization	<input type="checkbox"/> Other	

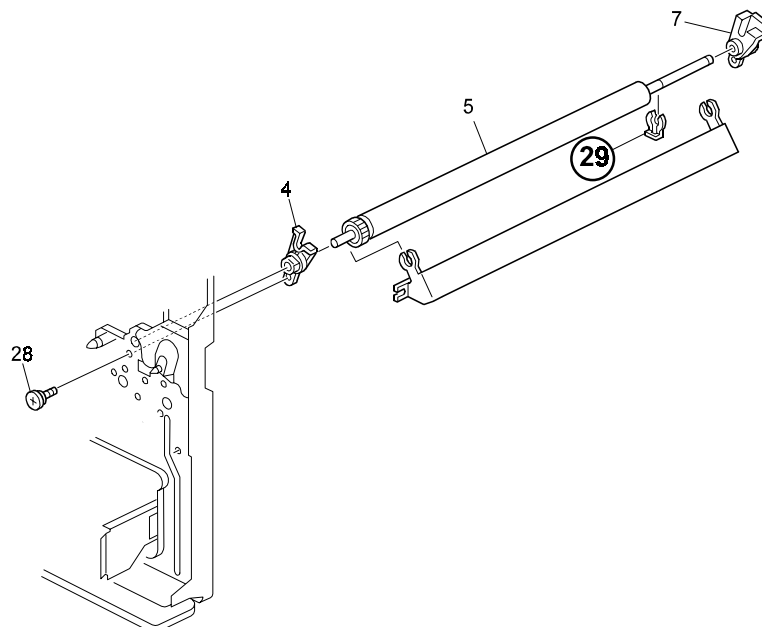
To ensure that noise does not occur from interference between the Snap Ring and shaft of the Registration Roller, the material for 1 of the 2 Snap Rings shown below has been changed.

Old part number	New part number	Description	Q'ty	Int	Page	Index	Note
52152621	→ 52152621	Snap Ring – M6	2-1		29	6	
	→ AA100013	Snap Ring – M6	0-1	X/O	29	29 *1	

\*1: New Index

### RCL (Japan) Production

Model	V/Hz	Destination	Code	Serial Number
Ricoh Aficio AP3800C Savin SLP38c Gestetner DSc38 Lanier 2138	120V, 60Hz	USA, Canada	G060-17	P6011200001
Gestetner DSc38 Nashuatec DSc38 Rex Rotary DSc38	220 - 240V, 50/60Hz	Europe, etc.	G060-22	P6011201282
Lanier 2138 AH	220 - 240V, 50/60Hz	Europe, etc.	G060-24	L0881120001
Infotec IP 280	220 - 240V, 50/60Hz	Europe, etc.	G060-26	4G81210001
Ricoh Aficio AP3800C	220 - 240V, 50/60Hz	Europe, etc.	G060-27	P6011201572
Ricoh Aficio AP3800C	220 - 240V, 50/60Hz	Asia	G060-29	P6011202836



Model: Model J-P1b		Date: 25-Sep-02	No.: MG060030
Modified Article: Fusing Clutch & BCU Board		Prepared by: H. Someya	
From: Technical Services sec. Service Planning Dept.			
Reason for Modification:	<input checked="" type="checkbox"/> Parts catalog correction <input type="checkbox"/> To facilitate assembly <input type="checkbox"/> Part standardization	<input type="checkbox"/> Vendor change <input type="checkbox"/> To improve reliability <input type="checkbox"/> Other	<input type="checkbox"/> To meet standards ( )

A fusing clutch has been added to the Bk development drive unit, which allows the drive to the fusing unit to be cut off during operations such as process control self-checks, line position adjustments and printer/copier image processing. Since the unit does not need to be running during these operations, the clutch will maximize the field durability of the fusing and oil units.

The following changes were then made to components and engine firmware to facilitate the new clutch, and were applied in stages as described below.

### Step 1

A DIP switch was added to the BCU board, which instructs the machine to detect or not detect the clutch. Please see RTB #RG060005 for details on the switch settings.

Note: The engine firmware was not changed at this stage (i.e. still ver. B1.11G).

Old part number	New part number	Description	Q'ty	Int	Page	Index	Note
G0775061	G0775069	BCU Board	1-1	X/O	67	18	
			1-1	X/O	85	*	
	12042478	DIP Switch – 4P	0-1		85		new

### RCL (Japan) Production

Model	V/Hz	Destination	Code	Serial Number
Ricoh Aficio AP3800C Savin SLP38c Gestetner DSc38 Lanier 2138	120V, 60Hz	USA, Canada	G060-17	P6011000732
Gestetner DSc38 Nashuatec DSc38 Rex Rotary DSc38	220 - 240V, 50/60Hz	Europe, etc.	G060-22	P6011100920
Lanier 2138 AH	220 - 240V, 50/60Hz	Europe, etc.	G060-24	L0881110001
Infotec IP 280	220 - 240V, 50/60Hz	Europe, etc.	G060-26	4G81110001
Ricoh Aficio AP3800C	220 - 240V, 50/60Hz	Europe, etc.	G060-27	P6011001617
Ricoh Aficio AP3800C	220 - 240V, 50/60Hz	Asia	G060-29	P6011102121



Model: Model J-P1b	Date: 25-Sep-02	No.: MG060030
--------------------	-----------------	---------------

### Step 2

The following components were modified so that the clutch could be added. The new clutch is a component of the drive unit for the Bk development unit.

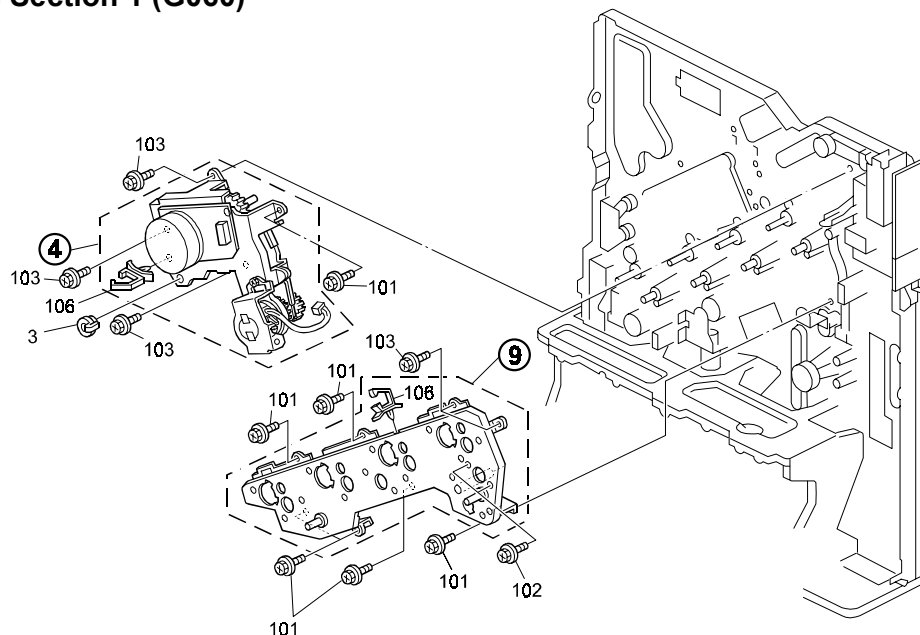
**Note:** Although the engine firmware was changed to ver B1.11H, the clutch engage/disengage control program had not been added yet. The clutch is therefore constantly engaged and keeps the fusing unit moving, as before.

Old part number	New part number	Description	Q'ty	Int	Page	Index	Note
G0601100	G0771100	Drive Unit – K Development	1-1	X/X	57	4	
G0771154	G0771160	Bracket – Drum Drive	1-1	X/X	57	9	
G0601189	G0601560	Upper PSU Duct	1-1	X/X	71	4	
G0601557	G0601561	Duct – DC Motor Guard	1-1	X/X	65	5	
G0775452	G0775456	Harness – Left Main	1-1	X/X	67	17	
G0775069	G0775069A	BCU Board	1-1	X/O	67	18	
			1-1	X/O	85	*	
(Ver. B1.11G)	(Ver. B1.11H)	Engine main firmware	1-1	X/O			

### RCL (Japan) Production

Model	V/Hz	Destination	Code	Serial Number
Ricoh Aficio AP3800C Savin SLP38c Gestetner DSc38 Lanier 2138	120V, 60Hz	USA, Canada	G060-17	P6011100001
Gestetner DSc38 Nashuatec DSc38 Rex Rotary DSc38	220 - 240V, 50/60Hz	Europe, etc.	G060-22	P6011100920
Lanier 2138 AH	220 - 240V, 50/60Hz	Europe, etc.	G060-24	L0881110001
Infotec IP 280	220 - 240V, 50/60Hz	Europe, etc.	G060-26	4G81110001
Ricoh Aficio AP3800C	220 - 240V, 50/60Hz	Europe, etc.	G060-27	P6011001999
Ricoh Aficio AP3800C	220 - 240V, 50/60Hz	Asia	G060-29	P6011102160

### 25. Drive Section 1 (G060)

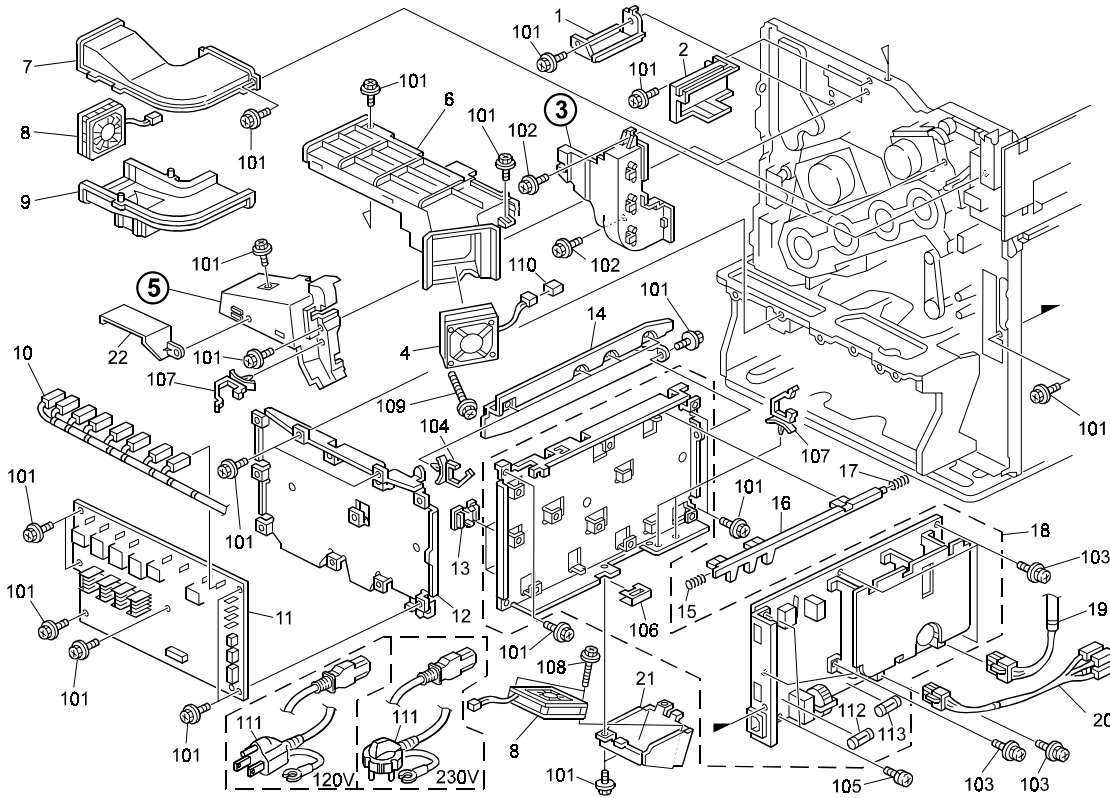


Model: Model J-P1b

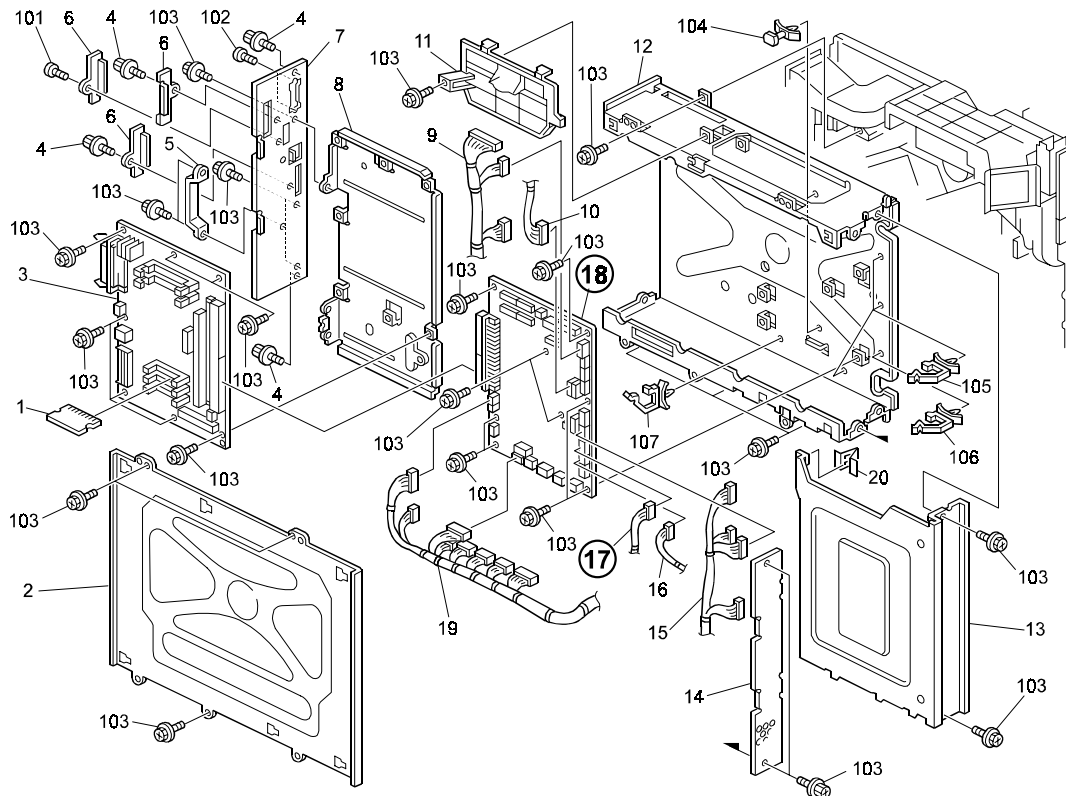
Date: 25-Sep-02

No.: MG060030

## 29. Electrical Section 1 (G060)



## 30. Electrical Section 2 (G060)



Model: Model J-P1b	Date: 25-Sep-02	No.: MG060030
--------------------	-----------------	---------------

### Step 3

The engage/disengage program for the clutch was added to the engine firmware (now ver B1.15E). Aside of the firmware, the BCU board itself remains unchanged.

Old part number	New part number	Description	Q'ty	Int	Page	Index	Note
G0775069A	G0775067	BCU Board	1-1	X/O	67	18	
			1-1	X/O	85	*	

### RCL (Japan) Production

Model	V/Hz	Destination	Code	Serial Number
Ricoh Aficio AP3800C Savin SLP38c Gestetner DSc38 Lanier 2138	120V, 60Hz	USA, Canada	G060-17	P601120001
Gestetner DSc38 Nashuatec DSc38 Rex Rotary DSc38	220 - 240V, 50/60Hz	Europe, etc.	G060-22	P6011201282
Lanier 2138 AH	220 - 240V, 50/60Hz	Europe, etc.	G060-24	L0881120001
Infotec IP 280	220 - 240V, 50/60Hz	Europe, etc.	G060-26	4G81210001
Ricoh Aficio AP3800C	220 - 240V, 50/60Hz	Europe, etc.	G060-27	P6011201572
Ricoh Aficio AP3800C	220 - 240V, 50/60Hz	Asia	G060-29	P6011202836

Model: Model J-P1b		Date: 25-Oct-02	No.: MG060031
Modified Article: Development Unit		Prepared by: H. Someya	
From: Technical Services sec. Service Planning Dept.			
Reason for Modification:	<input type="checkbox"/> Parts catalog correction <input type="checkbox"/> To facilitate assembly <input type="checkbox"/> Part standardization	<input type="checkbox"/> Vendor change <input checked="" type="checkbox"/> To improve reliability <input type="checkbox"/> Other	<input type="checkbox"/> To meet standards (      )

To increase the distribution speed of developer and to help mixing the toner density evenly side to side (front to rear), the rotation speed of the development agitation rollers has been increased by about 1.7 times. In addition to improvement in the uneven ID, this modification reduces the ID change from page to page.

Old part number	New part number	Description	Q'ty	Int	Page	Index	Note
G0603011	G0603016	Development Unit - C	1-1	O/O	35	3	
G0603012	G0603017	Development Unit - M	1-1	O/O	35	2	
G0603013	G0603018	Development Unit - Y	1-1	O/O	35	4	

### RCL (Japan) Production

Model	V/Hz	Destination	Code	Serial Number
Ricoh Aficio AP3800C Savin SLP38c Gestetner DSc38 Lanier 2138	120V, 60Hz	USA, Canada	G060-17	P6020100522
Gestetner DSc38 Nashuatec DSc38 Rex Rotary DSc38	220 - 240V, 50/60Hz	Europe, etc.	G060-22	P6020101876
Lanier 2138 AH	220 - 240V, 50/60Hz	Europe, etc.	G060-24	L0882010081
Infotec IP 280	220 - 240V, 50/60Hz	Europe, etc.	G060-26	4G80220001
Ricoh Aficio AP3800C	220 - 240V, 50/60Hz	Europe, etc.	G060-27	P6020102576
Ricoh Aficio AP3800C	220 - 240V, 50/60Hz	Asia	G060-29	P6020203163

Model: Model J-P1b		Date: 28-Oct-02	No.: MG060032
Modified Article: Development Unit		Prepared by: H. Someya	
From: Technical Services sec. Service Planning Dept.			
Reason for Modification:	<input type="checkbox"/> Parts catalog correction <input type="checkbox"/> To facilitate assembly <input type="checkbox"/> Part standardization	<input type="checkbox"/> Vendor change <input type="checkbox"/> To improve reliability <input checked="" type="checkbox"/> Other	<input type="checkbox"/> To meet standards (      )

The following have been changed due to parts standardization with the Development Units for the domestic model in Japan.

Old part number	New part number	Description	Q'ty	Int	Page	Index	Note
G0603016	G7643001	Development Unit - C	1-1	O/O	35	3	
G0603017	G7643002	Development Unit - M	1-1	O/O	35	2	
G0603018	G7643003	Development Unit - Y	1-1	O/O	35	4	

Model: Model-J		Date: 28-Nov-02	No.: MG060033
Modified Article: Unique parts for Chinese model		Prepared by: H.Someya	
From: Technical Services sec. Service Planning Dept.			
Reason for Modification:	<input type="checkbox"/> Parts catalog correction <input type="checkbox"/> To facilitate assembly <input type="checkbox"/> Part standardization	<input type="checkbox"/> Vendor change <input type="checkbox"/> To improve reliability <input checked="" type="checkbox"/> Other	<input type="checkbox"/> To meet standards (      )

The following have been newly registered as unique parts for the China model (G060-69).

New part number	Description	Q'ty	Int	Page	Index	Note
AZ230121	Power Supply Unit - 220V	1		65	18	
GZ000004	Power Supply Cord (CHN)	1		65	111	
GA003065	Decal - Inkjet Paper Caution (CHN)	1		89	14	
G0606521	O/I - Setup Guide (CHN)	1		89	15	
G0606583	O/I - Maintenance Guide (CHN)	1		89	16	
G0606645	O/I - Printer Client Reference (CHN)	1		89	17	
G0606707	O/I - Administrator Reference (CHN)	1		89	18	

Model: Model-J		Date: 25-Feb-03	No.: MG060034
Modified Article: Paper Feed Unit		Prepared by: H.Taguchi	
From: Technical Services Sec. Service Planning Dept.			
Reason for Modification:	<input type="checkbox"/> Parts catalog correction	<input type="checkbox"/> Vendor change	<input type="checkbox"/> To meet standards ( )
	<input type="checkbox"/> To facilitate assembly	<input type="checkbox"/> To improve reliability	
	<input checked="" type="checkbox"/> Part standardization	<input type="checkbox"/> Other	

The following has been changed due to parts standardization with the next model.

Old part number	New part number	Description	Q'ty	Int	Page	Index	Note
G0602700	G0802700	Paper Feed Unit 1	1 - 1	O/O	19	1	

Model: Model-J		Date: 25-Feb-03	No.: MG060035
Modified Article: Paper Tray 1		Prepared by: H.Taguchi	
From: Technical Service Sec. Service Planning Dept.			
Reason for Modification:	<input type="checkbox"/> Parts catalog correction	<input type="checkbox"/> Vendor change	<input type="checkbox"/> To meet standards ( )
	<input type="checkbox"/> To facilitate assembly	<input type="checkbox"/> To improve reliability	
	<input checked="" type="checkbox"/> Part standardization	<input type="checkbox"/> Other	

The following parts have been changed due to parts standardization with the next model.

Old part number	New part number	Description	Q'ty	Int	Page	Index	Note
G0602768	G0802768	Paper Tray 1	1 - 1	O/O	15	1	
GA003011	-	Decal - Paper Tray 1	1 - 0		15	2	
-	GA003066	Decal:Paper Tray:No.1	0 - 1		15	2	

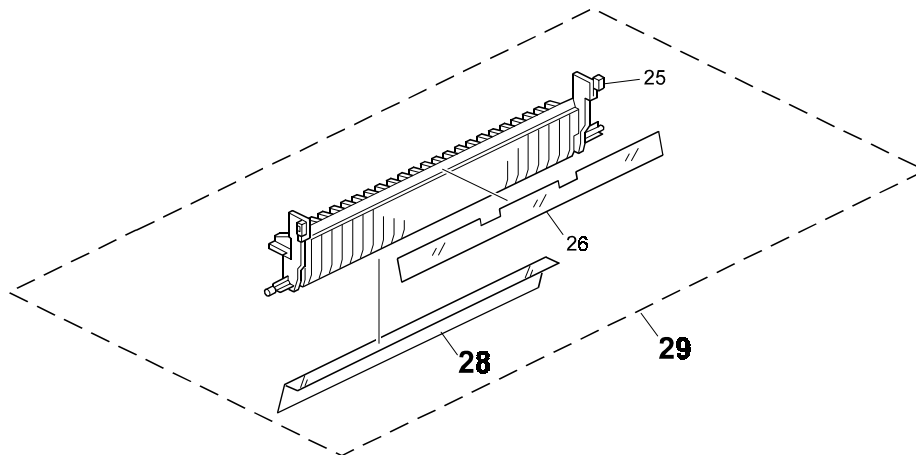


Model: Model-J		Date: 27-Feb-03	No.: MG060036
Modified Article: Parts catalogue collection		Prepared by: H.Taguchi	
From: Technical Services Sec. Service Planning Dept.			
Reason for Modification:	<input checked="" type="checkbox"/> Parts catalog correction	<input type="checkbox"/> Vendor change	<input type="checkbox"/> To meet standards ( )
	<input type="checkbox"/> To facilitate assembly	<input type="checkbox"/> To improve reliability	
	<input type="checkbox"/> Part standardization	<input type="checkbox"/> Other	

The following parts have been newly registered due to requests from the field.

Old part number	New part number	Description	Q'ty	Int	Page	Index	Note
	G0602633	Guide: Middle: Lower	0 - 1		29	28	New
	G0602618	Guide Plate: Middle: Lower: Adhesion	0 - 1		29	29	New

**11. Paper Registration (G060)**



Model: Model-J		Date: 13-Mar-03	No.: MG060037
Modified Article: Fusing Belt		Prepared by: Hideki Taguchi	
From: Technical Services Sec. Service Planning Dept.			
Reason for Modification:	<input type="checkbox"/> Parts catalog correction <input type="checkbox"/> To facilitate assembly <input type="checkbox"/> Part standardization	<input type="checkbox"/> Vendor change <input checked="" type="checkbox"/> To improve reliability <input type="checkbox"/> Other	<input type="checkbox"/> To meet standards (        )

The shape of the strippers has been changed and the spring pressure has been reduced to ensure that the strippers do not scratch the fusing belt or pressure roller.

Old part number	New part number	Description	Q'ty	Int	Page	Index	Note
AA060871	AA060932	Tension Spring	5 – 5	X/X	45	2	1*
AE044034	AE044051	Fusing Belt Stripper	5 – 5	X/X	45	3	1*
AA066589	AA066594	Spring – Pressure Roller Stripper	6 – 6	X/X	47	11	2*
AE044035	AE044050	Pressure Roller Stripper	6 – 6	X/X	47	12	2*

Note 1\*: These parts should be replaced as a set (interchangeability as a set: X/O)

Note 2\*: These parts should be replaced as a set (interchangeability as a set: X/O)

### RCL (Japan) Production

Model	V/Hz	Destination	Code	Serial Number
Ricoh Aficio AP3800C Savin SLP38c Gestetner DSc38 Lanier 2138	120V, 60Hz	USA, Canada	G060-17	P6021200020
Gestetner DSc38 Nashuatec DSc38 Rex Rotary DSc38	220 - 240V, 50/60Hz	Europe, etc.	G060-22	P6021201401
Lanier 2138 AH	220 - 240V, 50/60Hz	Europe, etc.	G060-24	L0882120001
Infotec IP 280	220 - 240V, 50/60Hz	Europe, etc.	G060-26	4G81220023
Ricoh Aficio AP3800C	220 - 240V, 50/60Hz	Europe, etc.	G060-27	P6021201675
Ricoh Aficio AP3800C	220 - 240V, 50/60Hz	Asia	G060-29	P6021201691

Model: Model-J		Date: 16-May-03	No.: MG060038
Modified Article: Rear Side Plate		Prepared by: Hideki Taguchi	
From: 1st Tech. Support Sec. Service Support Dept.			
Reason for Modification:	<input checked="" type="checkbox"/> Parts catalog correction	<input type="checkbox"/> Vendor change	<input type="checkbox"/> To meet standards ( )
	<input type="checkbox"/> To facilitate assembly	<input type="checkbox"/> To improve reliability	
	<input type="checkbox"/> Part standardization	<input type="checkbox"/> Other	

The following part number has been changed due to parts catalog correction.

Old part number	New part number	Description	Q'ty	Int	Page	Index	Note
G0602664	G0602665	Rear Side Plate – Paper Feed	1 – 1	X/O	23	17	

Model: Model-J		Date: 16-May-03	No.: MG060039
Modified Article: Upper Cover		Prepared by: Hideki Taguchi	
From: 1st Tech. Support Sec. Service Support Dept.			
Reason for Modification:	<input type="checkbox"/> Parts catalog correction <input type="checkbox"/> To facilitate assembly <input checked="" type="checkbox"/> Part standardization	<input type="checkbox"/> Vendor change <input type="checkbox"/> To improve reliability <input type="checkbox"/> Other	<input type="checkbox"/> To meet standards (       )

The following part has been changed due to parts standardization with the next model.

Old part number	New part number	Description	Q'ty	Int	Page	Index	Note
G0601275	G0771275	Upper Cover – Exit Tray	1 – 1	O/O	11	13	

### RCL (Japan) Production

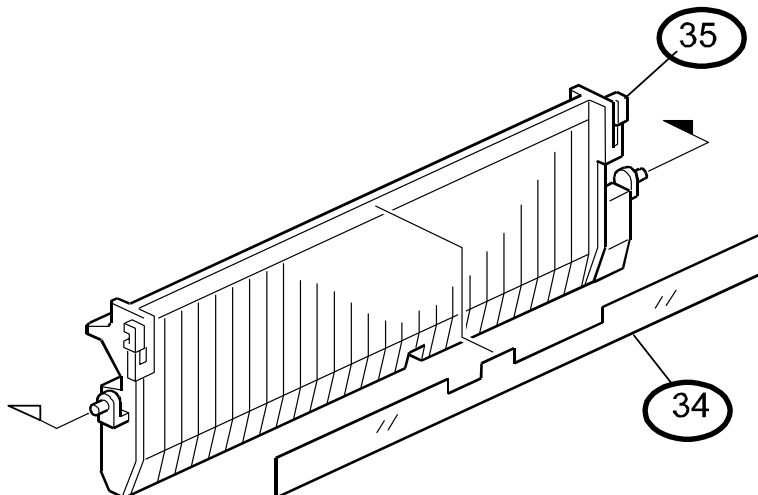
Model	V/Hz	Destination	Code	Serial Number
Ricoh Aficio AP3800C Savin SLP38c Gestetner DSc38 Lanier 2138	120V, 60Hz	USA, Canada	G060-17	P6020500862
Gestetner DSc38 Nashuatec DSc38 Rex Rotary DSc38	220 - 240V, 50/60Hz	Europe, etc.	G060-22	P6020600851
Lanier 2138 AH	220 - 240V, 50/60Hz	Europe, etc.	G060-24	L0882060001
Infotec IP 280	220 - 240V, 50/60Hz	Europe, etc.	G060-26	4G80520001
Ricoh Aficio AP3800C	220 - 240V, 50/60Hz	Europe, etc.	G060-27	P6020502616
Ricoh Aficio AP3800C	220 - 240V, 50/60Hz	Asia	G060-29	P6020602301

Model: Model-J		Date: 23-May-03	No.: MG060040
Modified Article: Parts catalog correction		Prepared by: H.Taguchi	
From: 1st Tech. Support Sec. Service Support Dept.			
Reason for Modification:	<input checked="" type="checkbox"/> Parts catalog correction	<input type="checkbox"/> Vendor change	<input type="checkbox"/> To meet standards ( )
	<input type="checkbox"/> To facilitate assembly	<input type="checkbox"/> To improve reliability	
	<input type="checkbox"/> Part standardization	<input type="checkbox"/> Other	

Please apply the following index corrections in the illustration to your Parts Catalogs.

Part number	Description	Page	Index
G0602629	Vertical Transport Guide	21	34
G0602730	Guide Plate	21	35

### 7. 2nd Paper Feed Section (G060)

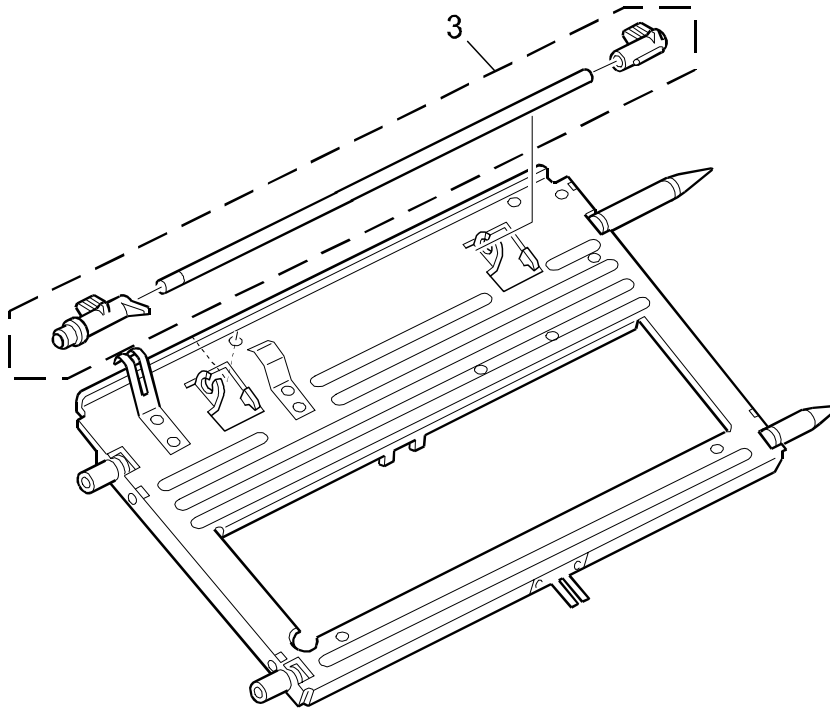


Model: Model-J		Date: 29-May-03	No.: MG060041
Modified Article: Parts catalog correction		Prepared by: H.Taguchi	
From: 1st Tech. Support Sec. Service Support Dept.			
Reason for Modification:	<input checked="" type="checkbox"/> Parts catalog correction	<input type="checkbox"/> Vendor change	<input type="checkbox"/> To meet standards ( )
	<input type="checkbox"/> To facilitate assembly	<input type="checkbox"/> To improve reliability	
	<input type="checkbox"/> Part standardization	<input type="checkbox"/> Other	

Please apply the following correction to your Parts Catalogs.

**Delete** the following P/N, descriptions and indexes from the illustration.  
 These springs were deleted because they are provided only as part of the G0603694 Release Shaft (index 3 below), not individually.

Old part number	New part number	Description	Q'ty	Int	Page	Index	Note
AA066344		Rear Torsion Spring	1 - 0		41	23	
AA066345		Front Torsion Spring				24	



Model: Model-J		Date: 29-May-03	No.: MG060042
Modified Article: ROM DIMM - PDL		Prepared by: H.Taguchi	
From: 1st Tech. Support Sec. Service Support Dept.			
Reason for Modification:	<input type="checkbox"/> Parts catalog correction <input type="checkbox"/> To facilitate assembly <input type="checkbox"/> Part standardization	<input type="checkbox"/> Vendor change <input checked="" type="checkbox"/> To improve reliability <input type="checkbox"/> Other	<input type="checkbox"/> To meet standards (      )

The Euro currency symbol has been added to 112 fonts in the following ROM DIMM.

**Related bulletins:** #Rgene011, #RG060002g (Controller v2.18).

Old part number	New part number	Description	Q'ty	Int	Page	Index	Note
G0776120	G0776121	ROM DIMM - PDL	1 - 1	X/O	67	1	

### RCL (Japan) Production

Model	V/Hz	Destination	Code	Serial Number
Ricoh Aficio AP3800C Savin SLP38c Gestetner DSc38 Lanier 2138	120V, 60Hz	USA, Canada	G060-17	P6021000151
Gestetner DSc38 Nashuatec DSc38 Rex Rotary DSc38	220 - 240V, 50/60Hz	Europe, etc.	G060-22	P6021000931
Lanier 2138 AH	220 - 240V, 50/60Hz	Europe, etc.	G060-24	L0882110001
Infotec IP 280	220 - 240V, 50/60Hz	Europe, etc.	G060-26	4G81020001
Ricoh Aficio AP3800C	220 - 240V, 50/60Hz	Europe, etc.	G060-27	P6021001303
Ricoh Aficio AP3800C	220 - 240V, 50/60Hz	Asia	G060-29	P6021100826

Model: Model-J		Date: 10-Jun-03	No.: MG060043
Modified Article: Sensor		Prepared by: H.Taguchi	
From: 1st Tech. Support Sec. Service Support Dept.			
Reason for Modification:	<input type="checkbox"/> Parts catalog correction <input type="checkbox"/> To facilitate assembly <input type="checkbox"/> Part standardization	<input type="checkbox"/> Vendor change <input checked="" type="checkbox"/> To improve reliability <input type="checkbox"/> Other	<input type="checkbox"/> To meet standards (        )

The following changes have been made to ensure that the transfer belt is not scratched from vibration during transport, which can occur because the machine is shipped from the factory with the belt and drum contacting each other.

- 1) The machine is now shipped with the drum released from the transfer belt, i.e. with the release lever secured with tape in a second (new) unlocked position.
- 2) The parts listed below have been modified so that the front door can be closed with the lever in the second unlocked position for shipping. At installation, the lever must then be set to the locked position for the door to close.

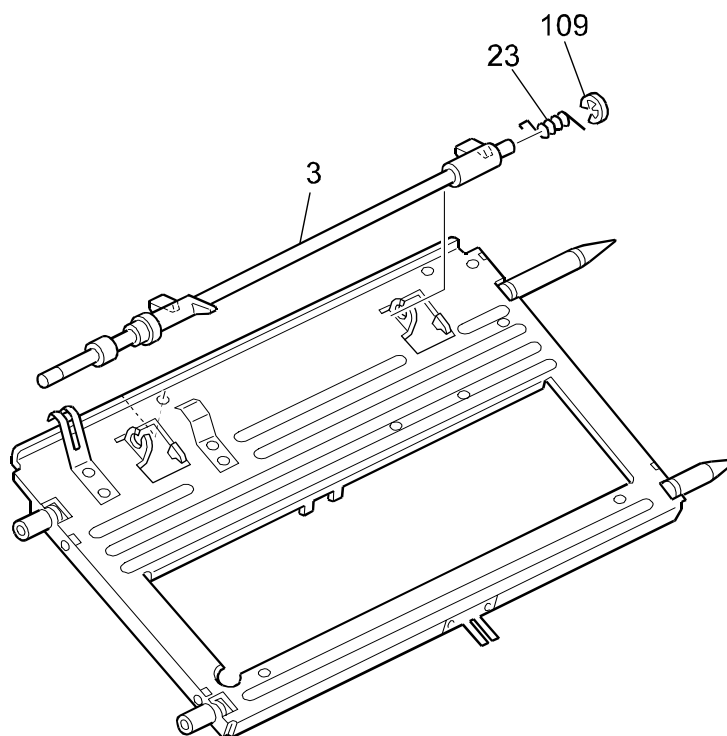
Old part number	New part number	Description	Q'ty	Int	Page	Index	Note
	G0603712	Torsion Spring			41	23	*1 NEW
G0603694	G0773697	Shaft – Release	1 – 1	X/O	41	3	*1
	07200040	Retaining Ring – M4			41	109	*1 NEW
G0603923	G0773923	Release Lever	1 – 1	X/O	37	15	*1

Note: \*1. Interchangeability is O/O as a set



Model: Model-J	Date: 10-Jun-03	No.: MG060043
----------------	-----------------	---------------

### 17.Transfer Unit 3 (G060)



### RCL (Japan) Production

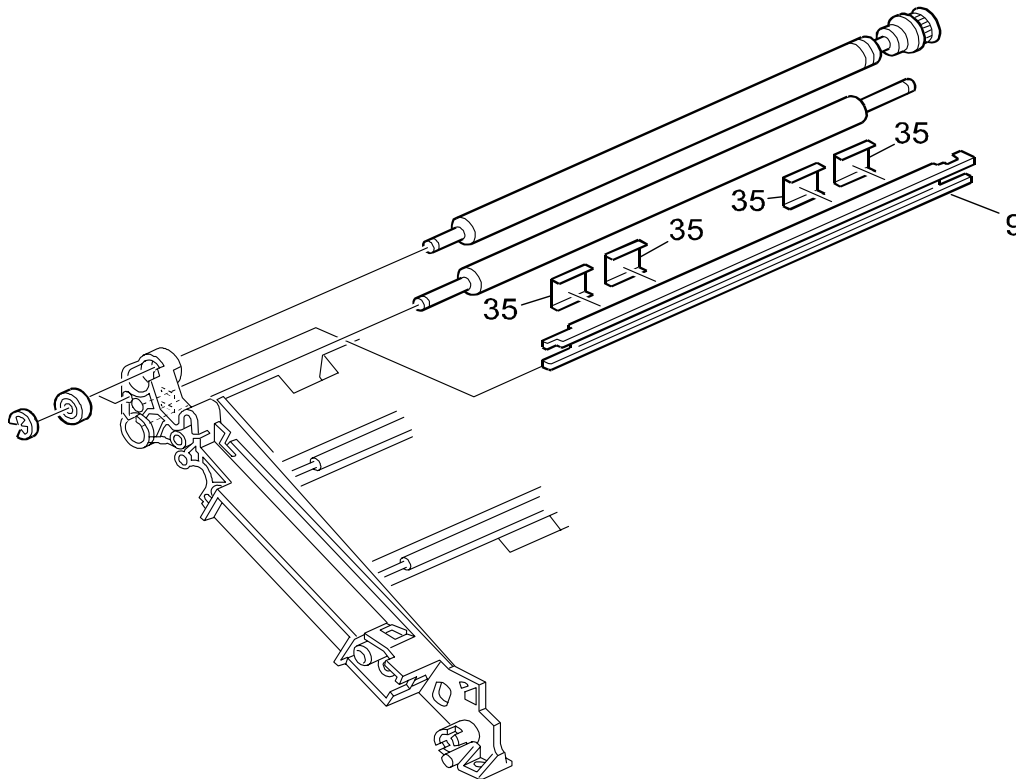
Model	V/Hz	Destination	Code	Serial Number
Ricoh Aficio AP3800C Savin SLP38c Gestetner DSc38 Lanier 2138	120V, 60Hz	USA, Canada	G060-17	P6020600330
Gestetner DSc38 Nashuatec DSc38 Rex Rotary DSc38	220 - 240V, 50/60Hz	Europe, etc.	G060-22	P6020601050
Lanier 2138 AH	220 - 240V, 50/60Hz	Europe, etc.	G060-24	L0882070001
Infotec IP 280	220 - 240V, 50/60Hz	Europe, etc.	G060-26	4G80620001
Ricoh Aficio AP3800C	220 - 240V, 50/60Hz	Europe, etc.	G060-27	P6020601900
Ricoh Aficio AP3800C	220 - 240V, 50/60Hz	Asia	G060-29	P6020602394

Model: Model-J		Date: 25-Jun-03	No.: MG060044
Modified Article: Transfer Unit		Prepared by: H.Taguchi	
From: 1st Tech. Support Sec. Service Support Dept.			
Reason for Modification:	<input type="checkbox"/> Parts catalog correction	<input type="checkbox"/> Vendor change	<input type="checkbox"/> To meet standards ( )
	<input type="checkbox"/> To facilitate assembly	<input checked="" type="checkbox"/> To improve reliability	
	<input type="checkbox"/> Part standardization	<input type="checkbox"/> Other	

The following sheet has been added to ensure a proper gap between the Left Stay and Transfer Belt, as toner accumulated on the stay from toner scattering can be transferred to the transfer belt and cause an ID sensor misdetection.

**Note:** The four sheets are attached to the Left Stay, just to the left and right of both ID sensors (see illustration below).

Old part number	New part number	Description	Q'ty	Int	Page	Index	Note
G0603840	G0603841	Transfer Unit	1 - 1	X/O	37	19	
	G0603707	Sheet: Stay: Left	4		39	35	NEW



Model: Model-J

Date: 25-Jun-03

No.: MG060044

**RCL (Japan) Production**

<b>Model</b>	<b>V/Hz</b>	<b>Destination</b>	<b>Code</b>	<b>Serial Number</b>
Ricoh Aficio AP3800C Savin SLP38c Gestetner DSc38 Lanier 2138	120V, 60Hz	USA, Canada	G060-17	P6011100791
Gestetner DSc38 Nashuatec DSc38 Rex Rotary DSc38	220 - 240V, 50/60Hz	Europe, etc.	G060-22	P6011201282
Lanier 2138 AH	220 - 240V, 50/60Hz	Europe, etc.	G060-24	L0881110001
Infotec IP 280	220 - 240V, 50/60Hz	Europe, etc.	G060-26	4G81210001
Ricoh Aficio AP3800C	220 - 240V, 50/60Hz	Europe, etc.	G060-27	P6011102054
Ricoh Aficio AP3800C	220 - 240V, 50/60Hz	Asia	G060-29	P6011102195

Model: Model-J		Date: 25-Jun-03	No.: MG060045
Modified Article: Transfer Unit		Prepared by: H.Taguchi	
From: 1st Tech. Support Sec. Service Support Dept.			
Reason for Modification:	<input type="checkbox"/> Parts catalog correction <input type="checkbox"/> To facilitate assembly <input type="checkbox"/> Part standardization	<input type="checkbox"/> Vendor change <input checked="" type="checkbox"/> To improve reliability <input type="checkbox"/> Other	<input type="checkbox"/> To meet standards (       )

The following has been changed to ensure the Backup Roller and Bushing stay properly fixed in position despite drop shock during shipping.

Old part number	New part number	Description	Q'ty	Int	Page	Index	Note
G0603841	G0773841	Transfer Unit	1 - 1	X/O	37	19	

### RCL (Japan) Production

Model	V/Hz	Destination	Code	Serial Number
Ricoh Aficio AP3800C Savin SLP38c Gestetner DSc38 Lanier 2138	120V, 60Hz	USA, Canada	G060-17	P6020900401
Gestetner DSc38 Nashuatec DSc38 Rex Rotary DSc38	220 - 240V, 50/60Hz	Europe, etc.	G060-22	P6020901171
Lanier 2138 AH	220 - 240V, 50/60Hz	Europe, etc.	G060-24	L0882100001
Infotec IP 280	220 - 240V, 50/60Hz	Europe, etc.	G060-26	4G80920001
Ricoh Aficio AP3800C	220 - 240V, 50/60Hz	Europe, etc.	G060-27	P6020901948
Ricoh Aficio AP3800C	220 - 240V, 50/60Hz	Asia	G060-29	P6020902311

Model: Model-J		Date: 3-Sep-03	No.: MG060046
Modified Article: Harness - Power Pack CB		Prepared by: H.Taguchi	
From: 1st Tech. Support Sec. Service Support Dept.			
Reason for Modification:	<input type="checkbox"/> Parts catalog correction <input checked="" type="checkbox"/> To facilitate assembly <input type="checkbox"/> Part standardization	<input type="checkbox"/> Vendor change <input type="checkbox"/> To improve reliability <input type="checkbox"/> Other	<input type="checkbox"/> To meet standards (      )

The binding clips for the following harness have been spaced further apart to facilitate assembly (harness length increased).

Old part number	New part number	Description	Q'ty	Int	Page	Index	Note
G0605510	G0775510	Harness – Power Pack CB	1 – 1	O/O	65	10	

Model: Model-J		Date: 3-Sep-03	No.: MG060047
Modified Article: Transfer Belt		Prepared by: H.Taguchi	
From: 1st Tech. Support Sec. Service Support Dept.			
Reason for Modification:	<input type="checkbox"/> Parts catalog correction	<input checked="" type="checkbox"/> Vendor change	<input type="checkbox"/> To meet standards ( )
	<input type="checkbox"/> To facilitate assembly	<input type="checkbox"/> To improve reliability	
	<input type="checkbox"/> Part standardization	<input type="checkbox"/> Other	

The following part number has been changed due to a vendor change.

Old part number	New part number	Description	Q'ty	Int	Page	Index	Note
G0603850	G0773850	Transfer Belt	1 - 1	O/O	39	12	

Model: Model-J		Date: 2-Dec-03	No.: MG060048
Modified Article: Controller Board		Prepared by: Hideki Taguchi	
From: 1st Tech. Support Sec. Service Support Dept.			
Reason for Modification:	<input type="checkbox"/> Parts catalog correction <input type="checkbox"/> To facilitate assembly <input checked="" type="checkbox"/> Part standardization	<input type="checkbox"/> Vendor change <input type="checkbox"/> To improve reliability <input type="checkbox"/> Other	<input type="checkbox"/> To meet standards (      )

The following has been changed due to parts standardization.

Old part number	New part number	Description	Q'ty	Int	Page	Index	Note
G0775740	G0775741	Controller Board	1 - 1	O/O	67	3	

### RCL (Japan) Production

Model	V/Hz	Destination	Code	Serial Number
Ricoh Aficio AP3800C Savin SLP38c Gestetner DSc38 Lanier 2138	120V, 60Hz	USA, Canada	G060-17	P6020600552
Gestetner DSc38 Nashuatec DSc38 Rex Rotary DSc38	220 - 240V, 50/60Hz	Europe, etc.	G060-22	P6020601134
Lanier 2138 AH	220 - 240V, 50/60Hz	Europe, etc.	G060-24	L0882070001
Infotec IP 280	220 - 240V, 50/60Hz	Europe, etc.	G060-26	4G80620001
Ricoh Aficio AP3800C	220 - 240V, 50/60Hz	Europe, etc.	G060-27	P6020602151
Ricoh Aficio AP3800C	220 - 240V, 50/60Hz	Asia	G060-29	P6020703276

Model: Model-J		Date: 12-Dec-03	No.: MG060049
Modified Article: Cleaner - Dust Proof Glass		Prepared by: H.Taguchi	
From: 1st Tech. Support Sec. Service Support Dept.			
Reason for Modification:	<input type="checkbox"/> Parts catalog correction <input type="checkbox"/> To facilitate assembly <input type="checkbox"/> Part standardization	<input type="checkbox"/> Vendor change <input checked="" type="checkbox"/> To improve reliability <input type="checkbox"/> Other	<input type="checkbox"/> To meet standards (      )

The cleaner for the dust proof glass has been modified as follows to improve the adhesive strength of the seal's tape:

1. The material for the fiber base seal has been changed to a softer material (latex).
2. The adhesive strength of the tape has been increased by approximately four times.

Old part number	New part number	Description	Q'ty	Int	Page	Index	Note
G0601995	B1491995	HOLDER:PAD:ASS'Y	1 - 1	O/O	9	2	



Model: Model-J		Date: 19-Feb-04	No.: MG060050
Modified Article: Pump - C Toner Supply Unit		Prepared by: H.Taguchi	
From: 1st Tech. Support Sec. Service Support Dept.			
Reason for Modification:	<input type="checkbox"/> Parts catalog correction <input type="checkbox"/> To facilitate assembly <input type="checkbox"/> Part standardization	<input type="checkbox"/> Vendor change <input checked="" type="checkbox"/> To improve reliability <input type="checkbox"/> Other	<input type="checkbox"/> To meet standards (        )

The following have been modified to further ensure the smooth flow of waste toner.

Old part number	New part number	Description	Q'ty	Int	Page	Index	Note
G0603353	G0603355	Pump – C Toner Supply Unit	1 – 1	X/O	55	12	*
G0603386	G0603390	Case - C	1 – 1	X/O	55	7	*

**Note:** These parts should be replaced as a set (interchangeability as a set: X/O)

### RCL (Japan) Production

Model	V/Hz	Destination	Code	Serial Number
Ricoh Aficio AP3800C Savin SLP38c Gestetner DSc38 Lanier 2138	120V, 60Hz	USA, Canada	G060-17	P6020201389
Gestetner DSc38 Nashuatec DSc38 Rex Rotary DSc38	220 - 240V, 50/60Hz	Europe, etc.	G060-22	P6020300850
Lanier 2138 AH	220 - 240V, 50/60Hz	Europe, etc.	G060-24	L0882030001
Infotec IP 280	220 - 240V, 50/60Hz	Europe, etc.	G060-26	4G80320001
Ricoh Aficio AP3800C	220 - 240V, 50/60Hz	Europe, etc.	G060-27	P6020301426
Ricoh Aficio AP3800C	220 - 240V, 50/60Hz	Asia	G060-29	P6020302986

Model: Model-J		Date: 19-Feb-04	No.: MG060051
Modified Article: Pump:Toner Supply Unit		Prepared by: H.Taguchi	
From: 1st Tech. Support Sec. Service Support Dept.			
Reason for Modification:	<input type="checkbox"/> Parts catalog correction <input type="checkbox"/> To facilitate assembly <input type="checkbox"/> Part standardization	<input type="checkbox"/> Vendor change <input checked="" type="checkbox"/> To improve reliability <input type="checkbox"/> Other	<input type="checkbox"/> To meet standards (        )

The following parts have been modified to further ensure a smooth supply of toner from the cartridge to the development unit.

Old part number	New part number	Description	Q'ty	Int	Page	Index	Note
G0603350	G0603356	Pump – K Toner Supply Unit	1 – 1	X/O	55	10	
G0603352	G0603357	Pump – M Toner Supply Unit	1 – 1	X/O	55	13	
G0603354	G0603358	Pump – Y Toner Supply Unit	1 – 1	X/O	55	11	
G0603355	G0603359	Pump – C Toner Supply Unit	1 – 1	X/O	55	12	

### RCL (Japan) Production

Model	V/Hz	Destination	Code	Serial Number
Ricoh Aficio AP3800C Savin SLP38c Gestetner DSc38 Lanier 2138	120V, 60Hz	USA, Canada	G060-17	P60402xxxxx
Ricoh Aficio AP3800C	220 - 240V, 50/60Hz	Asia	G060-29	P60402xxxxx

Model: Model-J		Date: 2-Mar-04	No.: MG060052
Modified Article: Stripper pawl		Prepared by: H.Taguchi	
From: 1st Tech. Support Sec. Service Support Dept.			
Reason for Modification:	<input type="checkbox"/> Parts catalog correction <input type="checkbox"/> To facilitate assembly <input type="checkbox"/> Part standardization	<input type="checkbox"/> Vendor change <input checked="" type="checkbox"/> To improve reliability <input type="checkbox"/> Other	<input type="checkbox"/> To meet standards (      )

The shape of the following has been changed to ensure oil does not stick to the rear side.

Old part number	New part number	Description	Q'ty	Int	Page	Index	Note
AE044050		Stripper pawl	1 - 1	X/O	47	12	
	→ AE044057	Pickoff Pawl:PFA					

### RCL (Japan) Production

Model	V/Hz	Destination	Code	Serial Number
Ricoh Aficio AP3800C Savin SLP38c Gestetner DSc38 Lanier 2138	120V, 60Hz	USA, Canada	G060-17	Service Parts Only
Gestetner DSc38 Nashuatec DSc38 Rex Rotary DSc38	220 - 240V, 50/60Hz	Europe, etc.	G060-22	Service Parts Only
Lanier 2138 AH	220 - 240V, 50/60Hz	Europe, etc.	G060-24	Service Parts Only
Infotec IP 280	220 - 240V, 50/60Hz	Europe, etc.	G060-26	Service Parts Only
Ricoh Aficio AP3800C	220 - 240V, 50/60Hz	Europe, etc.	G060-27	Service Parts Only
Ricoh Aficio AP3800C	220 - 240V, 50/60Hz	Asia	G060-29	Service Parts Only

Model: Model-J		Date: 2-Mar-04	No.: MG060053
Modified Article: Stripper pawl		Prepared by: H.Taguchi	
From: 1st Tech. Support Sec. Service Support Dept.			
Reason for Modification:	<input type="checkbox"/> Parts catalog correction <input type="checkbox"/> To facilitate assembly <input type="checkbox"/> Part standardization	<input type="checkbox"/> Vendor change <input checked="" type="checkbox"/> To improve reliability <input type="checkbox"/> Other	<input type="checkbox"/> To meet standards (        )

The coating for the following part has been changed to further ensure that the strippers do not scratch the fusing belt.

Old part number	New part number	Description	Q'ty	Int	Page	Index	Note
AE044051		Pickoff Pawl:Belt:Fusing	1 - 1	X/O	45	3	
	AE044047	Stripper Pawls:PFA					

### RCL (Japan) Production

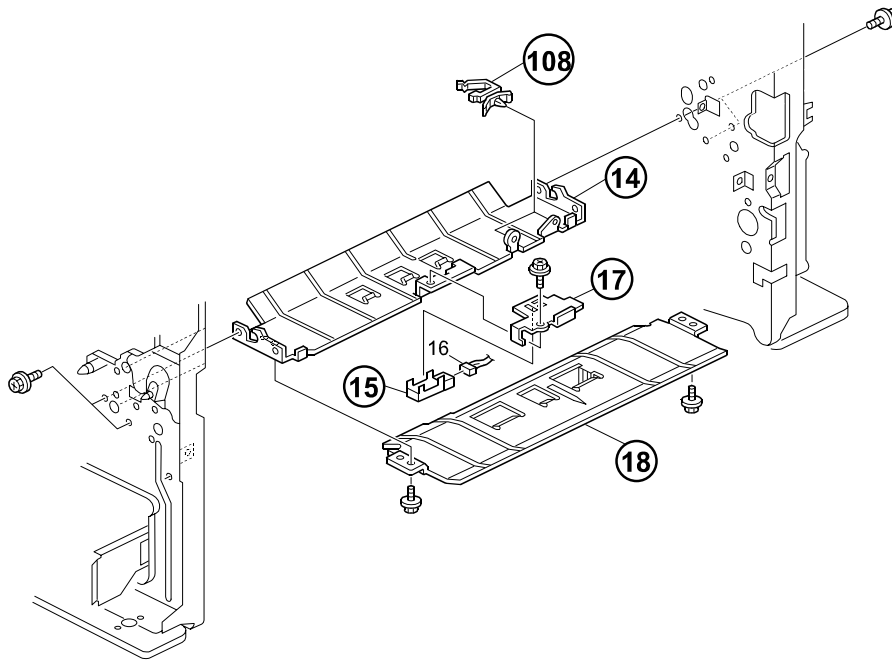
Model	V/Hz	Destination	Code	Serial Number
Ricoh Aficio AP3800C Savin SLP38c Gestetner DSc38 Lanier 2138	120V, 60Hz	USA, Canada	G060-17	Service Parts Only
Gestetner DSc38 Nashuatec DSc38 Rex Rotary DSc38	220 - 240V, 50/60Hz	Europe, etc.	G060-22	Service Parts Only
Lanier 2138 AH	220 - 240V, 50/60Hz	Europe, etc.	G060-24	Service Parts Only
Infotec IP 280	220 - 240V, 50/60Hz	Europe, etc.	G060-26	Service Parts Only
Ricoh Aficio AP3800C	220 - 240V, 50/60Hz	Europe, etc.	G060-27	Service Parts Only
Ricoh Aficio AP3800C	220 - 240V, 50/60Hz	Asia	G060-29	Service Parts Only

Model: Model-J		Date: 24-Mar-04	No.: MG060054
Modified Article: Photointerrupter		Prepared by: H.Taguchi	
From: 1st Tech. Support Sec. Service Support Dept.			
Reason for Modification:	<input type="checkbox"/> Parts catalog correction <input type="checkbox"/> To facilitate assembly <input checked="" type="checkbox"/> Part standardization	<input type="checkbox"/> Vendor change <input type="checkbox"/> To improve reliability <input type="checkbox"/> Other	<input type="checkbox"/> To meet standards ( )

The following have been changed due to parts standardization with the J-P2. In addition, these new parts further ensure that the harness is led properly.

Old part number	New part number	Description	Q'ty	Int	Page	Index	Note
AW020096	AW010098	Photointerrupter - GP2A231LRSA	1 - 1	X/X	29	15	*1
G0602625	G0802621	Guide Plate: Duplex: Exit: Upper	1 - 1	X/X	29	14	*1
G0602622	G0802622	Guide Plate: Duplex: Exit: Lower	1 - 1	X/X	29	18	*1
G0602634	G0802635	Bracket: Sensor: Paper Feed	1 - 1	X/X	29	17	*1
	11050511	Harness Clamp - LWS - 0306ZC	2		29	108	New *1

Note\*1: Interchangeability as a set: O/O



Model: Model-J	Date: 24-Mar-04	No.: MG060054
----------------	-----------------	---------------

**RCL (Japan) Production**

<b>Model</b>	<b>V/Hz</b>	<b>Destination</b>	<b>Code</b>	<b>Serial Number</b>
Ricoh Aficio AP3800C Savin SLP38c Gestetner DSc38 Lanier 2138	120V, 60Hz	USA, Canada	G060-17	P6020900423
Gestetner DSc38 Nashuatec DSc38 Rex Rotary DSc38	220 - 240V, 50/60Hz	Europe, etc.	G060-22	P6020901171
Lanier 2138 AH	220 - 240V, 50/60Hz	Europe, etc.	G060-24	L0882100001
Infotec IP 280	220 - 240V, 50/60Hz	Europe, etc.	G060-26	4G80920001
Ricoh Aficio AP3800C	220 - 240V, 50/60Hz	Europe, etc.	G060-27	P6020902018
Ricoh Aficio AP3800C	220 - 240V, 50/60Hz	Asia	G060-29	P6020902311

Model: Model-J		Date: 29-Mar-04	No.: MG060055
Modified Article: Vertical Transport Unit		Prepared by: H.Taguchi	
From: 1st Tech. Support Sec. Service Support Dept.			
Reason for Modification:	<input type="checkbox"/> Parts catalog correction <input type="checkbox"/> To facilitate assembly <input type="checkbox"/> Part standardization	<input type="checkbox"/> Vendor change <input checked="" type="checkbox"/> To improve reliability <input type="checkbox"/> Other	<input type="checkbox"/> To meet standards (        )

The following has been changed to further improve the smoothness of paper transport.

Old part number	New part number	Description	Q'ty	Int	Page	Index	Note
G0772531	→ G0772533	Vertical Transport Unit	1 - 1	X/O	25	*	
		Transport SubUnit:Lengthwise:Ass'y			27	*	

### RCL (Japan) Production

Model	V/Hz	Destination	Code	Serial Number
Ricoh Aficio AP3800C Savin SLP38c Gestetner DSc38 Lanier 2138	120V, 60Hz	USA, Canada	G060-17	P60309xxxxx
Gestetner DSc38 Nashuatec DSc38 Rex Rotary DSc38	220 - 240V, 50/60Hz	Europe, etc.	G060-22	P60309xxxxx
Lanier 2138 AH	220 - 240V, 50/60Hz	Europe, etc.	G060-24	L088309xxxx
Infotec IP 280	220 - 240V, 50/60Hz	Europe, etc.	G060-26	4G8093xxxx
Ricoh Aficio AP3800C	220 - 240V, 50/60Hz	Europe, etc.	G060-27	P60309xxxxx
Ricoh Aficio AP3800C	220 - 240V, 50/60Hz	Asia	G060-29	P60309xxxxx
Ricoh Aficio AP3800C	220 - 240V, 50/60Hz	China	G060-69	P60309xxxxx

Model: Model-J		Date: 31-Mar-04	No.: MG060056
Modified Article: PCU		Prepared by: H.Taguchi	
From: 1st Tech. Support Sec. Service Support Dept.			
Reason for Modification:	<input type="checkbox"/> Parts catalog correction <input type="checkbox"/> To facilitate assembly <input type="checkbox"/> Part standardization	<input type="checkbox"/> Vendor change <input checked="" type="checkbox"/> To improve reliability <input type="checkbox"/> Other	<input type="checkbox"/> To meet standards ( )

The adhesive for the PCU cleaning blade has been changed to further improve the operational reliability of the blade mechanism.

Old part number	New part number	Description	Q'ty	Int	Page	Index	Note
G7632201	G7632203	PCU:COLLAR:M-PAC:ASS'Y	1 - 1	X/O	35	1	

### RCL (Japan) Production

Model	V/Hz	Destination	Code	Serial Number
Ricoh Aficio AP3800C Savin SLP38c Gestetner DSc38 Lanier 2138	120V, 60Hz	USA, Canada	G060-17	P6020600251
Gestetner DSc38 Nashuatec DSc38 Rex Rotary DSc38	220 - 240V, 50/60Hz	Europe, etc.	G060-22	P6020601051
Lanier 2138 AH	220 - 240V, 50/60Hz	Europe, etc.	G060-24	L0882070001
Infotec IP 280	220 - 240V, 50/60Hz	Europe, etc.	G060-26	4G80620001
Ricoh Aficio AP3800C	220 - 240V, 50/60Hz	Europe, etc.	G060-27	P6020601768
Ricoh Aficio AP3800C	220 - 240V, 50/60Hz	Asia	G060-29	P6020602395
Ricoh Aficio AP3800C	220 - 240V, 50/60Hz	China	G060-69	P6021001734



Model: Model-J		Date: 31-Mar-04	No.: MG060057
Modified Article: PCU		Prepared by: H.Taguchi	
From: 1st Tech. Support Sec. Service Support Dept.			
Reason for Modification:	<input type="checkbox"/> Parts catalog correction <input type="checkbox"/> To facilitate assembly <input type="checkbox"/> Part standardization	<input type="checkbox"/> Vendor change <input checked="" type="checkbox"/> To improve reliability <input type="checkbox"/> Other	<input type="checkbox"/> To meet standards (      )

The inner diameter of the PCU shaft hole has been increased to accommodate the longer shaft, which was lengthened to further improve drum rotational stability.

Old part number	New part number	Description	Q'ty	Int	Page	Index	Note
G7632203		PCU:COLLAR:M-PAC:ASS'Y	1 - 1	X/O	35	1	
	→ G7632205	PCU - CMY					

Model: Model-J		Date: 31-Mar-04	No.: MG060058
Modified Article: PCU		Prepared by: H.Taguchi	
From: 1st Tech. Support Sec. Service Support Dept.			
Reason for Modification:	<input type="checkbox"/> Parts catalog correction <input type="checkbox"/> To facilitate assembly <input type="checkbox"/> Part standardization	<input type="checkbox"/> Vendor change <input checked="" type="checkbox"/> To improve reliability <input type="checkbox"/> Other	<input type="checkbox"/> To meet standards (        )

The cleaning brush flicker has been deleted to further ensure proper cleaning of the drum surface.

Old part number	New part number	Description	Q'ty	Int	Page	Index	Note
G7632205		PCU - CMY	1 - 1	O/O	35	1	
	→ G7632207	PCU:COLLAR:M-PAC:ASS'Y					

### RCL (Japan) Production

Model	V/Hz	Destination	Code	Serial Number
Ricoh Aficio AP3800C Savin SLP38c Gestetner DSc38 Lanier 2138	120V, 60Hz	USA, Canada	G060-17	P60307xxxx
Gestetner DSc38 Nashuatec DSc38 Rex Rotary DSc38	220 - 240V, 50/60Hz	Europe, etc.	G060-22	P60307xxxx
Lanier 2138 AH	220 - 240V, 50/60Hz	Europe, etc.	G060-24	L088307xxxx
Infotec IP 280	220 - 240V, 50/60Hz	Europe, etc.	G060-26	4G8073xxxx
Ricoh Aficio AP3800C	220 - 240V, 50/60Hz	Europe, etc.	G060-27	P60307xxxx
Ricoh Aficio AP3800C	220 - 240V, 50/60Hz	Asia	G060-29	P60307xxxx
Ricoh Aficio AP3800C	220 - 240V, 50/60Hz	China	G060-69	P60307xxxx

Model: Model-J		Date: 2-Apr-04	No.: MG060059
Modified Article: Vertical Transport Unit		Prepared by: H.Taguchi	
From: 1st Tech. Support Sec. Service Support Dept.			
Reason for Modification:	<input type="checkbox"/> Parts catalog correction <input type="checkbox"/> To facilitate assembly <input type="checkbox"/> Part standardization	<input type="checkbox"/> Vendor change <input checked="" type="checkbox"/> To improve reliability <input type="checkbox"/> Other	<input type="checkbox"/> To meet standards (      )

The following has been changed to further improve the smoothness of paper transport.

Old part number	New part number	Description	Q'ty	Int	Page	Index	Note
G0772531	→ G0772533	Vertical Transport Unit	1 - 1	X/O	25	*	
		Transport SubUnit:Lengthwise:Ass'y			27	*	

### RCL (Japan) Production

Model	V/Hz	Destination	Code	Serial Number
Ricoh Aficio AP3850C Savin SLP38c DE Gestetner DSc38F Lanier 2138E	120V, 60Hz	USA, Canada	G082-17	P89309xxxxx

**Reissued: 18-Aug-04**

Model: Model-J	Date: 11-Jun-04	No.: MG060060a
----------------	-----------------	----------------

**MB Correction**

The items in bold italics have been corrected or added.

Modified Article: Paper Feed Rollers		Prepared by: H.Taguchi	
From: 1st Tech. Support Sec. Service Support Dept.			
Reason for Modification:	<input type="checkbox"/> Parts catalog correction	<input type="checkbox"/> Vendor change	<input type="checkbox"/> To meet standards ( )
	<input type="checkbox"/> To facilitate assembly	<input checked="" type="checkbox"/> To improve reliability	
	<input type="checkbox"/> Part standardization	<input type="checkbox"/> Other	

The material for the paper feed rollers has been changed to increase their target yield from 150k to 500k.

Old part number	New part number	Description	Q'ty	Int	Page	Index	Note
G0802700	G1062700	Paper Feed Unit:No.1:Ass'y	1 - 1	X/O	19	1	
AF030049	AF030085	Paper Feed Roller - Pickup	1 - 1	X/O	19	3	<b>*1</b>
					21	3	
	<b>AA100014</b>	<b>Retaining Ring C - Separate</b>			<b>19</b>	<b>5</b>	<b>*1</b>
AF031049	AF031085	Paper Feed Roller - Feed	1 - 1	X/O	19	6	<b>*2</b>
					21	5	
	<b>AA100014</b>	<b>Retaining Ring C - Separate</b>			<b>19</b>	<b>5</b>	<b>*2</b>
AF032049	AF032085	Paper Feed Roller - Separate	1 - 1	X/O	19	25	<b>*3</b>
					21	33	
	<b>AA100014</b>	<b>Retaining Ring C - Separate</b>			<b>19</b>	<b>5</b>	<b>*3</b>
G0602750	G1062750	Paper Feed Unit:No.2:Ass'y	1 - 1	X/O	21	1	

**Note \*1 \*2 \*3: You should replace these parts as a set.**

**Reissued: 19-Aug-04**

Model: Model-J	Date: 25-Jun-04	No.: MG060061a
----------------	-----------------	----------------

**MB Correction**

The items in bold italics have been corrected or added.

Modified Article: Imaging unit		Prepared by: H.Taguchi	
From: 1st Tech. Support Sec. Service Support Dept.			
Reason for Modification:	<input type="checkbox"/> Parts catalog correction	<input type="checkbox"/> Vendor change	<input type="checkbox"/> To meet standards ( )
	<input type="checkbox"/> To facilitate assembly	<input checked="" type="checkbox"/> To improve reliability	
	<input type="checkbox"/> Part standardization	<input type="checkbox"/> Other	

The securing of the imaging unit mirrors has been improved to protect against excessive shock and vibration during transport.

Old part number	New part number	Description	Q'ty	Int	Page	Index	Note
G0801853	G0801854	Imaging Unit	1-1	X/O	13	1	

**Note: The imaging unit changed as follows before the modification shown above.**

**The following have changed due to parts standardization with Model J-P2 (G080).**

**Note: In accordance with this change, the service parts for this unit have also changed to the same P/N, descriptions, indices and illustration shown in the Laser Unit section of the J-P2 catalogue.**

<i>Old part number</i>	<i>New part number</i>	<i>Description</i>	<i>Q'ty</i>	<i>Int</i>	<i>Page</i>	<i>Index</i>	<i>Note</i>
<i>G0771856</i>	<i>G0801853</i>	<i>Imaging Unit</i>	<i>1 - 1</i>	<i>O/O</i>	<i>13</i>	<i>1</i>	

Model: Model-J		Date: 2-Aug-04	No.: MG060062
Modified Article: Transfer Unit		Prepared by: H.Taguchi	
From: 1st Tech. Support Sec. Service Support Dept.			
Reason for Modification:	<input type="checkbox"/> Parts catalog correction	<input type="checkbox"/> Vendor change	<input type="checkbox"/> To meet standards ( )
	<input type="checkbox"/> To facilitate assembly	<input checked="" type="checkbox"/> To improve reliability	
	<input type="checkbox"/> Part standardization	<input type="checkbox"/> Other	

The transfer unit has been modified from a transfer brush to a transfer roller system in order to further improve the accuracy of color line positioning.

Old part number	New part number	Description	Q'ty	Int	Page	Index	Note
G0773841	G0773842	Transfer Unit:Ass'y	1 - 1	X/O*	37	19	

*Note\*: In accordance with this change, the following firmware upgrade and SP mode setting should be done at transfer unit installation.*

## Firmware Upgrade, SP Settings at Transfer Unit Installation

### - Model J-P1b, Model J-P1CF -

- Upgrade to the following firmware.

Model:	Code:	Engine Firmware:	System Firmware:
Model J-P1b	G060	B1.28 or newer	2.22 or newer
Model J-P1CF	G060 + G570	B1.28 or newer	1.12 or newer

- Do the following to allow the machine to detect the new unit..
  - Access SP2-399-001 [Trans\_Cur\_Chg] and select "1".
  - Select "OK".
  - Exit SP mode and turn the main switch Off/On.

Number:	Description:	Default Setting:	Adjustable Range:
SP2-399-001	Trans_Cur_Chg	0	0: Transfer Brush Type <b>1: Transfer Roller Type</b>

Model: Model-J	Date: 2-Aug-04	No.: MG060062
----------------	----------------	---------------

**- Model J-P1c -**

1. Upgrade to the following firmware (SP mode setting is automatically performed).

Model:	Code:	Engine Firmware:	System Firmware:
Model J-P1c	G082	C1.28 or newer	(Unnecessary)

- The firmware for models J-P1c and J-P1b are different (ex. **C1.28** vs. **B1.28**).
- If installing the new transfer unit on a J-P1c machine with Engine **B1.28 or newer** already installed, and you wish to update to a C-version firmware with the same numeric name (e.g. from **B1.28** → **C1.28**), please be sure to 1) first downgrade to B1.27 and then 2) install **C1.28 or newer**. This is because it is not possible to directly update a Bxxx version to a Cxxx version with the same numeric name.

Model: Model-J		Date: 6-Aug-04	No.: MG060063
Modified Article: Toner Cartridge Holder - Bk		Prepared by: H.Taguchi	
From: 1st Tech. Support Sec. Service Support Dept.			
Reason for Modification:	<input type="checkbox"/> Parts catalog correction <input type="checkbox"/> To facilitate assembly <input checked="" type="checkbox"/> Part standardization	<input type="checkbox"/> Vendor change <input type="checkbox"/> To improve reliability <input type="checkbox"/> Other	<input type="checkbox"/> To meet standards (      )

The following have been changed due to part standardization with Model J-P2.

Old part number	New part number	Description	Q'ty	Int	Page	Index	Note
G0603202	G0773202	HOLDER: TONER CARTRIDGE: BK: DOM: ASS'Y	1 - 1	X/O	33	1	
G0601560	G0771560	DUCT: POWER SUPPLY UNIT: UPPER POSITI	1 - 1	X/O	71	4	

### RCL (Japan) Production

Model	V/Hz	Destination	Code	Serial Number
Ricoh Aficio AP3800C Savin SLP38c Gestetner DSc38 Lanier 2138	120V, 60Hz	USA, Canada	G060-17	P6020500869
Gestetner DSc38 Nashuatec DSc38 Rex Rotary DSc38	220 - 240V, 50/60Hz	Europe, etc.	G060-22	P6020600851
Lanier 2138 AH	220 - 240V, 50/60Hz	Europe, etc.	G060-24	L0882060001
Infotec IP 280	220 - 240V, 50/60Hz	Europe, etc.	G060-26	4G80520001
Ricoh Aficio AP3800C	220 - 240V, 50/60Hz	Europe, etc.	G060-27	P6020502615
Ricoh Aficio AP3800C	220 - 240V, 50/60Hz	Asia	G060-29	P6020602301
Ricoh Aficio AP3800C	220 - 240V, 50/60Hz	China	G060-69	P60207xxxx



Model: Model-J		Date: 6-Aug-04	No.: MG060064
Modified Article: Toner Cartridge Holder - Bk		Prepared by: H.Taguchi	
From: 1st Tech. Support Sec. Service Support Dept.			
Reason for Modification:	<input type="checkbox"/> Parts catalog correction <input type="checkbox"/> To facilitate assembly <input type="checkbox"/> Part standardization	<input type="checkbox"/> Vendor change <input type="checkbox"/> To improve reliability <input checked="" type="checkbox"/> Other	<input type="checkbox"/> To meet standards (      )

The shape of the following part has been changed in accordance with the metal plate change for the mainframe.

Old part number	New part number	Description	Q'ty	Int	Page	Index	Note
G0773202	G0603203	HOLDER: TONER CARTRIDGE: BK: DOM: ASS'Y	1 - 1	X/O	33	1	

### RCL (Japan) Production

Model	V/Hz	Destination	Code	Serial Number
Ricoh Aficio AP3800C Savin SLP38c Gestetner DSc38 Lanier 2138	120V, 60Hz	USA, Canada	G060-17	P6020500553
Gestetner DSc38 Nashuatec DSc38 Rex Rotary DSc38	220 - 240V, 50/60Hz	Europe, etc.	G060-22	P6020501651
Lanier 2138 AH	220 - 240V, 50/60Hz	Europe, etc.	G060-24	L0882060001
Infotec IP 280	220 - 240V, 50/60Hz	Europe, etc.	G060-26	4G80520001
Ricoh Aficio AP3800C	220 - 240V, 50/60Hz	Europe, etc.	G060-27	P6020502264
Ricoh Aficio AP3800C	220 - 240V, 50/60Hz	Asia	G060-29	P6020503027
Ricoh Aficio AP3800C	220 - 240V, 50/60Hz	China	G060-69	P60207xxxx

Model: Model-J		Date: 5-Oct-04	No.: MG060065
Modified Article: Guide Plate: Registration: Middle: ADH		Prepared by: H.Taguchi	
From: 1st Tech. Support Sec. Service Support Dept.			
Reason for Modification:	<input type="checkbox"/> Parts catalog correction <input type="checkbox"/> To facilitate assembly <input type="checkbox"/> Part standardization	<input type="checkbox"/> Vendor change <input checked="" type="checkbox"/> To improve reliability <input type="checkbox"/> Other	<input type="checkbox"/> To meet standards (      )

The following has been changed to further improve the smoothness of paper transport.

Old part number	New part number	Description	Q'ty	Int	Page	Index	Note
G0602613	G0602645	Guide Plate: Registration: Middle: ADH	1 - 1	X/O	23	30	

### RCL (Japan) Production

Model	V/Hz	Destination	Code	Serial Number
Ricoh Aficio AP3800C Savin SLP38c Gestetner DSc38 Lanier 2138	120V, 60Hz	USA, Canada	G060-17	P60309xxxxx
Gestetner DSc38 Nashuatec DSc38 Rex Rotary DSc38	220 - 240V, 50/60Hz	Europe, etc.	G060-22	P60309xxxxx
Lanier 2138 AH	220 - 240V, 50/60Hz	Europe, etc.	G060-24	L088309xxxx
Infotec IP 280	220 - 240V, 50/60Hz	Europe, etc.	G060-26	4G8093xxxx
Ricoh Aficio AP3800C	220 - 240V, 50/60Hz	Europe, etc.	G060-27	P60309xxxxx
Ricoh Aficio AP3800C	220 - 240V, 50/60Hz	Asia	G060-29	P60309xxxxx
Ricoh Aficio AP3800C	220 - 240V, 50/60Hz	China	G060-69	P60309xxxxx

Model: Model-J		Date: 22-Apr-05	No.: MG060066
Modified Article: Development Unit		Prepared by: H.Taguchi	
From: 1st Tech. Support Sec. Service Support Dept.			
Reason for Modification:	<input type="checkbox"/> Parts catalog correction	<input type="checkbox"/> Vendor change	<input type="checkbox"/> Other
	<input type="checkbox"/> To facilitate assembly	<input checked="" type="checkbox"/> To improve reliability	<input type="checkbox"/> To meet standards
	<input type="checkbox"/> Part standardization	<input type="checkbox"/> Product Safety	( )

Old part number	New part number	Description	Q'ty	Int	Page	Index	Note
G7643001	G7643005	Development Unit - C	1-1	X/O	35	3	
G7643002	G7643006	Development Unit - M	1-1	X/O	35	2	
G7643003	G7643006	Development Unit - Y	1-1	X/O	35	4	

**Change:** The shape of the joint area of the development unit was changed.  
**Reason:** To make sure the development unit gear engages with the mainframe gear correctly (to make sure SC38x does not occur).